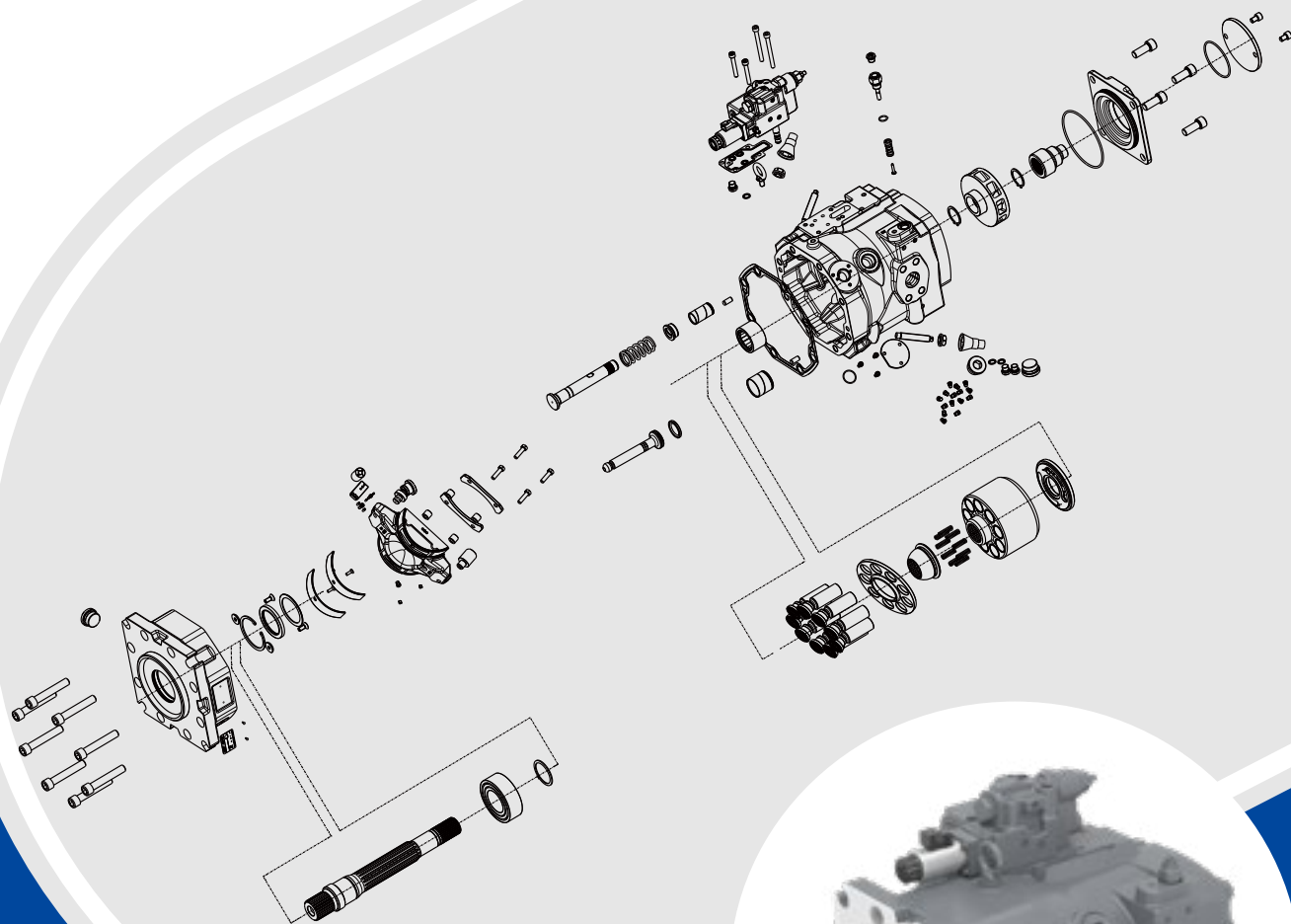




In/line



Parts Manual

V32G Series

Swash-type Plate Axial Piston
Open-loop Pump

Contents

V32G Series

1.General Information	02
2.Functional Description	02
3.Product Parts	03
3.1 V32G-065*	-
3.2 V32G-110*	-
3.3 V32G-145*	-
3.3.1 V32G-145*	-
3.3.2 V32GL-145*	-
3.4 V32G-160*	-
3.4.1 V32G-160*	-
3.4.2 V32GL-160*	-
3.5 V32G-205	03
3.5.1 V32G-205*	-
3.5.2 V32GL-205	03
3.6 V32G-280*	-
3.7 V32G-300*	-
3.8 Control Valve	25

Note: "*" indicates under production.

1 General Information

This manual lists parts related information for the full range of V32G swash plate axial piston pumps. The main purpose of this manual is to better serve our customers by enabling them to quickly locate parts and find Hengli Genuine Parts.

If you require more detailed information on parts, please contact InLine Hydraulics
www.inlinehydraulik.com
www.henglihydraulics.com
or consult with the relevant sales engineer.

1 Functional Description

- Based on the information on the nameplate attached to the pump, the basic configuration of the pump can be determined, e.g.: V32GL200RD1FVO/LRDRE1-E2-Q015 Specific information can be found in the InLine catalogue.
- With the nameplate information, you can quickly find information such as spindle, housing, bearing and other component material numbers in this manual.

3 V32G205 Product Parts

3.5 V32G205



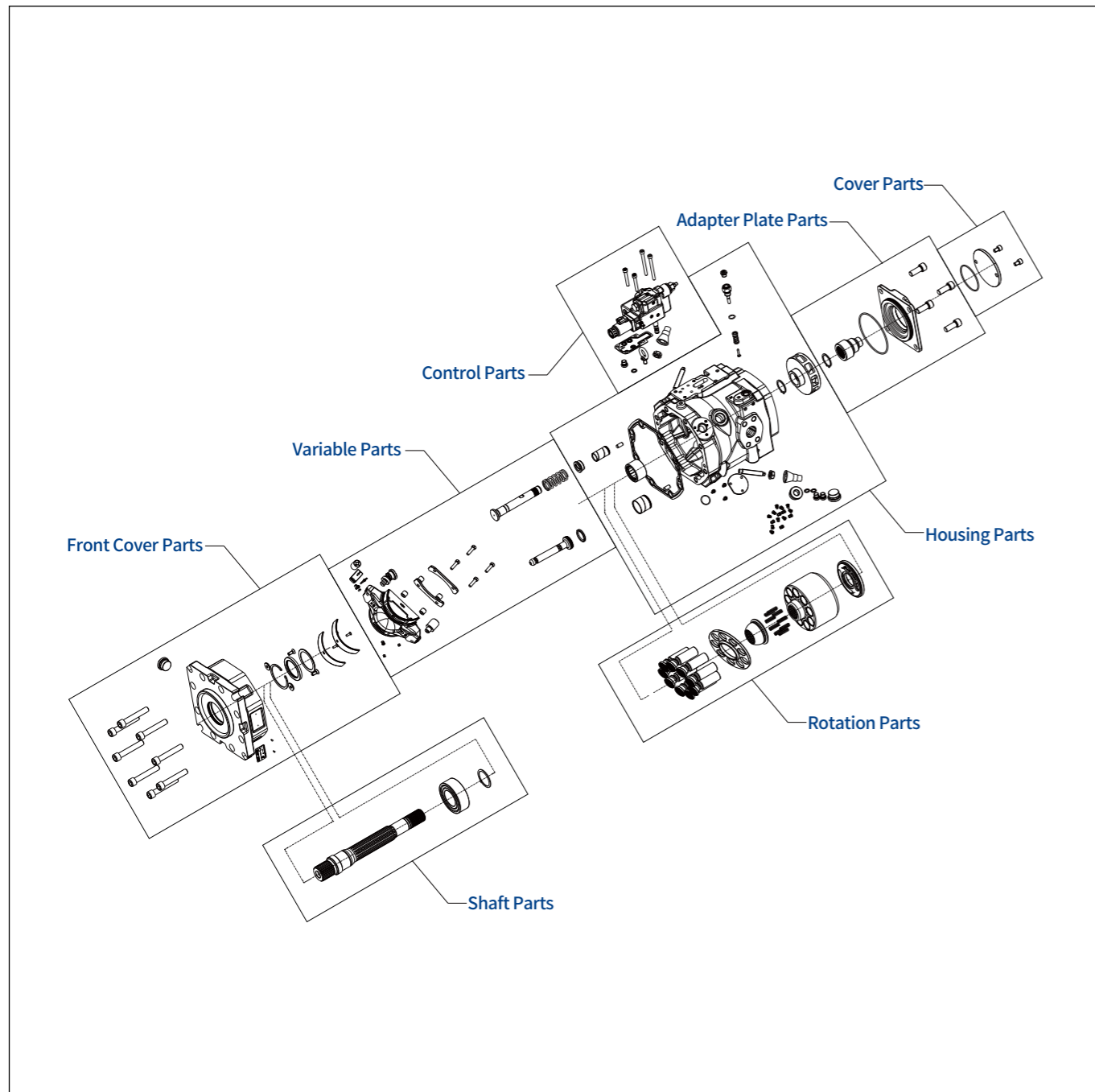
V32G-205

3 V32G Product Parts

3.5 V32GL205

·Take LRDRE1 as an example

3.5.2 V32GL205 Integral Parts



3.5.2 V32GL205

V32GL205 Parts Catalogue

3.5.2.1 Universal Seals and Mounting Screws

Seal selection code V/N..... 06-07

3.5.2.2 Shaft Parts

Shaft selection code S6/S7/S8/D1/K3 08-09

3.5.2.3 Front Cover Parts

Seal selection code V/N..... 10-11

3.5.2.4 Housing parts

Angle indicator cover plate selection code 0/1/2/3/4/5 12-13

3.5.2.5 Angle Sensor Parts(Optional)

Angle sensor parts(optional) 14-15

3.5.2.6 Variable Parts

Swashplate parts: Angle indicator selection code 0/1/2/3/4/5 16-17
Piston parts 18

3.5.2.7 Rotation Parts

Rotation parts 19

3.5.2.8 Adapter Plate Parts

Through drive selection code A1/B1/B2/C1/C2/D1/D3/E1/E2 20-21

3.5.2.9 Cover Parts

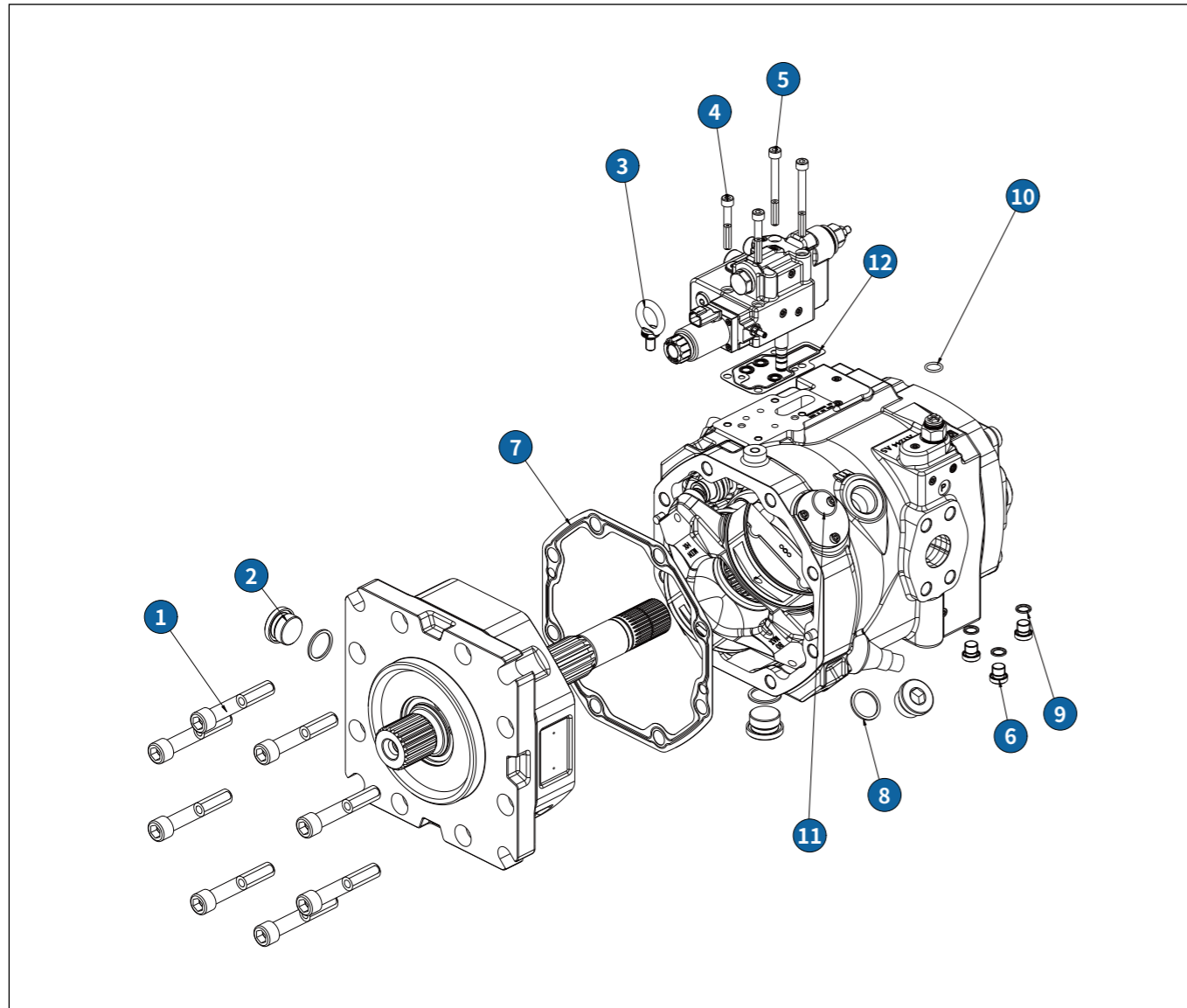
Through drive selection code 0/A1/B1/B2/C1/C2/D1/D3/E1/E2 22-23

3.8 Control Module Parts

Control module selection code L1S0..... 26-27
Control module selection code DRS0 28-29
Control module selection code LRDS 30-32
Control module selection code LRDG 33-35
Control module selection code LRDRE1 36-38
Control module selection code LRDGE1 37-41

3.5.2.1 V32GL205 Universal Seals and Mounting Screws

· Seal order code V: Normal temperature / · Order code N: Low temperature



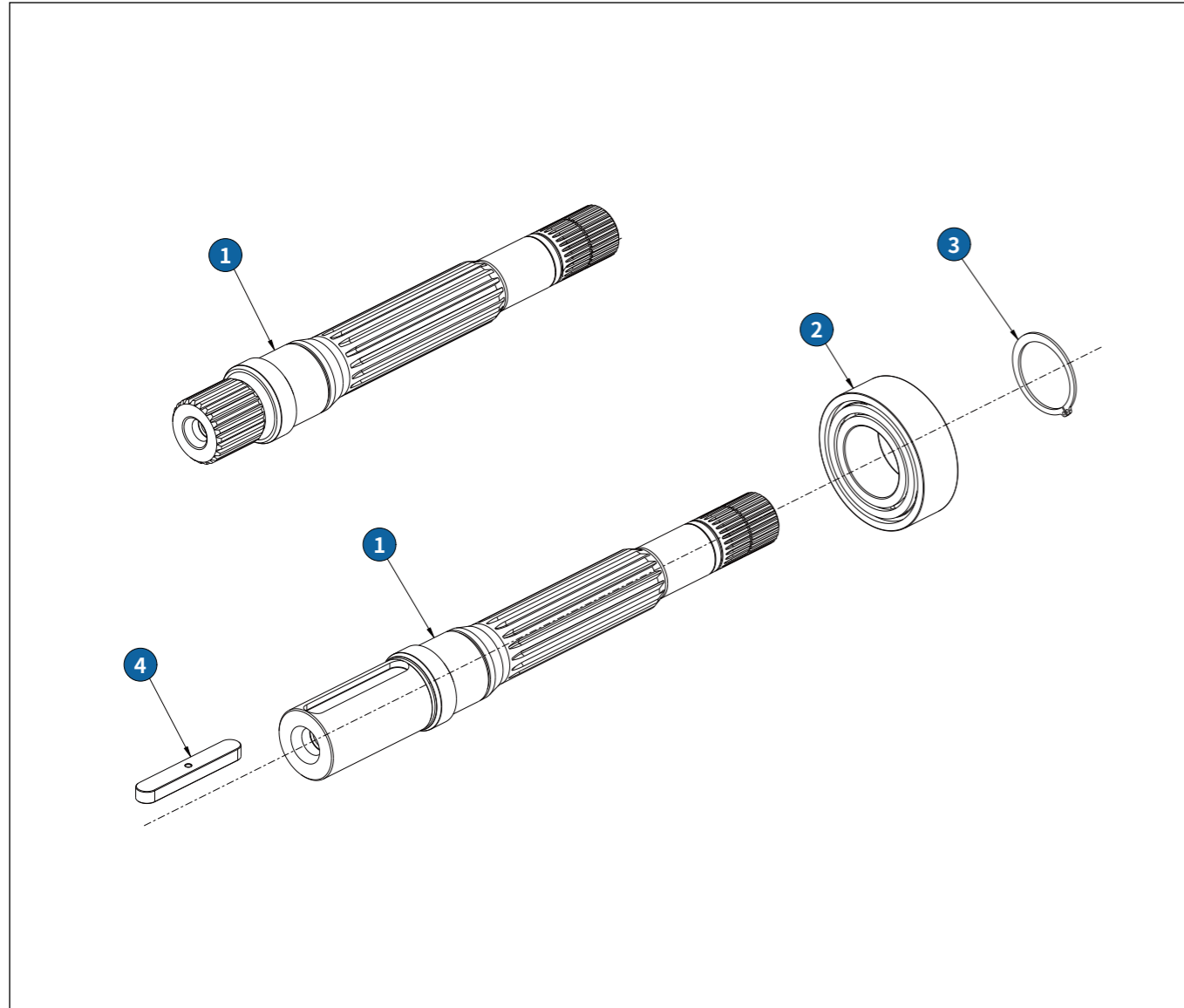
3.5.2.1 V32GL205 Universal Seals and Mounting Screws

Order code: V/N

Serial No.	Part Name	Specification	Order No.	QTY.per kit	Drawing No.
1	Hexagon socket head cap screws	M16*95	210000294060	8	JIS B 1176
2	Hexagon socket plugs (including normal-temperature sealing)	M33*2	210000294486	3	ISO 9974-4
3	Eye bolts	M10	210000292414	1	JIS B 1168
4	Hexagon socket head cap screws	M8*55	210000292381	2	JIS B 1176
5	Hexagon socket head cap screws (Non-electric proportional displacement)	M8*65	210000293305	2	DIN 912
	Hexagon socket head cap screws (Including electric proportional displacement)	M8*85	210000293309	2	JIS B 1176
6	Plug	M14*1.5	210000294369	3	HLPV140I-020002
7	Sealing gasket	V32G200-0410SHM	210000779691	1	V32G200-0410SHM
8	ED-ring (low temperature)	φ29.7*φ35.7*2	110000067539	3	YG-20-06-020-001-A
9	ED-ring	φ11.6*φ16.5*1.5	110000038632	3	YG-20-06-020-001-A
10	O-ring (normal temperature)	φ15.3*2.2	110000001204	1	OR2201530
	O-ring (low temperature)	φ15.3*2.2	110000059385	1	OR2201530-N8
11	O-ring (normal temperature)	φ26.7*1.78	210000531209	1	2-023
	O-ring (low temperature)	φ26.7*1.78	110000111486	1	OR2-023-N6
12	Sealing gasket	V30G205-070032	210000464529	1	V30G205-070032

3.5.2.2 V32GL205 Shaft Parts

· Order code D1/S6/S7/S8: Splined shaft / · Order code K3: Parallel shaft



3.5.2.2 V32GL205 Shaft Parts

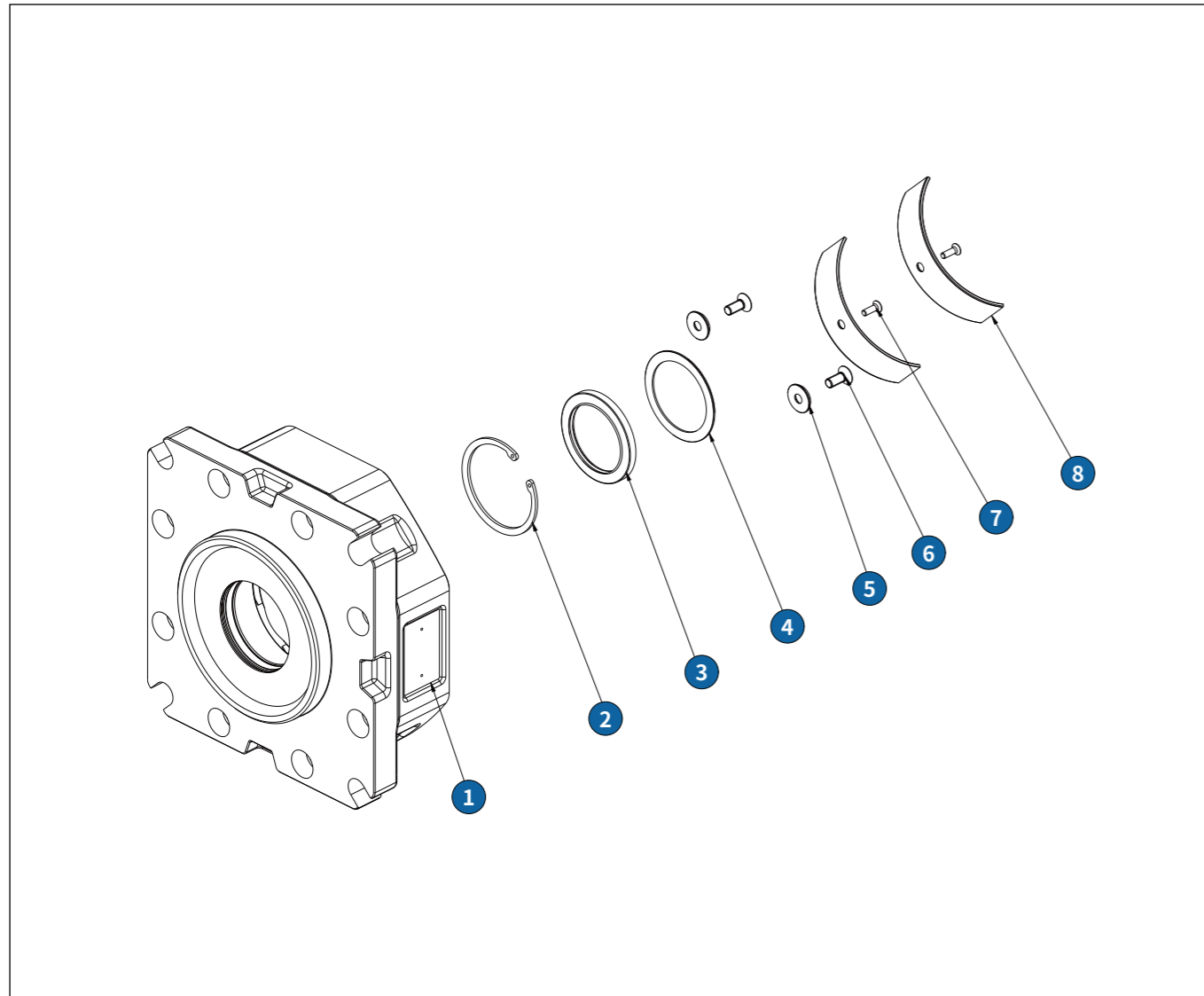
Order code: D1/S6/S7/S8/K3

Serial No.	Part Name	Specification	Order No.	QTY.per kit	Drawing No.
1	D1: shaft	V32G200-0110DSF-D50	210000779700	1	V32G200-0110DSF-D50
	S6: shaft*	V32G200-0110DSF-A13	210000923443	1	V32G200-0110DSF-A13
	S7: shaft*	V32G205-0110DSF-A15	210001079983	1	V32G205-0110DSF-A15
	S8: shaft*	V32G205-0110DSF-A27	210001055916	1	V32G205-0110DSF-A27
	K3: shaft	V32G200-0110DSF-K55	210000884576	1	V32G200-0110DSF-K55
2	Bearings	Φ55*φ106*35	210000353217	1	CU5190
3	Circlip for C-shaft	CE-EX 55	210000294438	1	JIS B 2804
4	Parallel key	V30G205D-011002	210000378663	1	V30G205D-011002

i ** indicates a non-standard option; Parallel key: Used only when the spindle type is a parallel key shaft (K3).

3.5.2.3 V32GL205 Front Cover Parts

· Seal order code V: Normal temperature / · Order code N: Low temperature



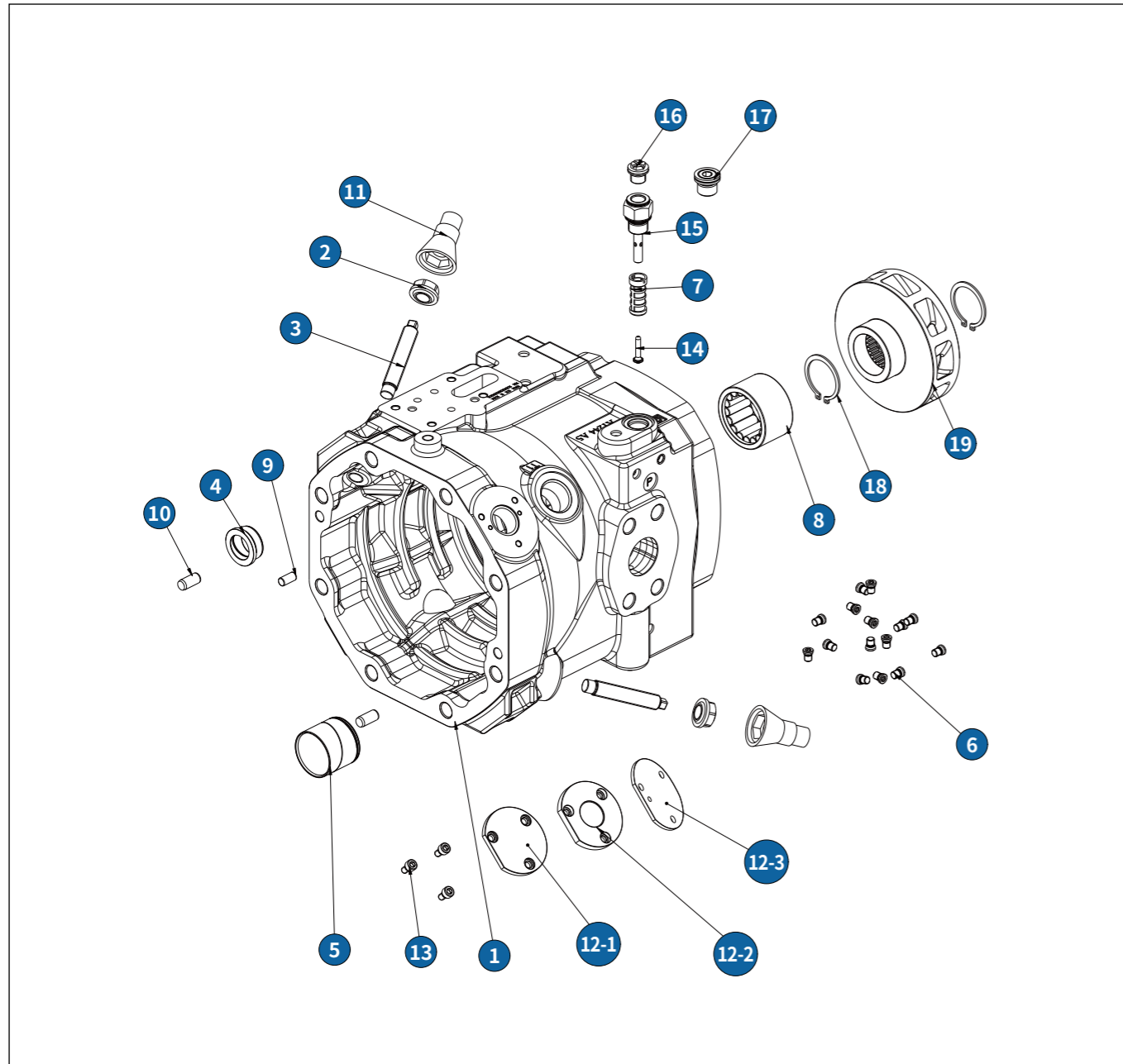
3.5.2.3 V32GL205 Front Cover Parts

Order code: V/N

Serial No.	Part Name	Specification	Order No.	QTY.per kit	Drawing No.
1	Front cover	V32G200-0510FFG	210000779699	1	V32G200-0510FFG
2	Elastic retaining ring for hole	φ80	210000293347	1	DIN 472
3	V: Skeleton oil seal	TCVφ60*φ80*7	110000070080	1	YY-22-11-010-042-A
	N: Oil seal	60*80*7	210000458091	1	BABSL 60*80*7
4	Gasket	φ80*φ63*1.5	210000301976	1	V30G205-010004
5	Bearing press	V30G280-010004	210000302102	2	V30G280-010004
6	Hexagon socket countersunk head screws	M8*20	210000294472	2	DIN 7991
7	Hexagon socket countersunk head screws	M5*16	210000864245	2	DIN 7991
8	Shaft bushing	V32G200-0510CSL-03	210000969404	2	V32G200-0510CSL-03

3.5.2.4 V32GL205 Housing Parts

Order code F: Angle indicator cover plate selection code 0/1/2/3/4/5



3.5.2.4 V32GL205 Housing Parts

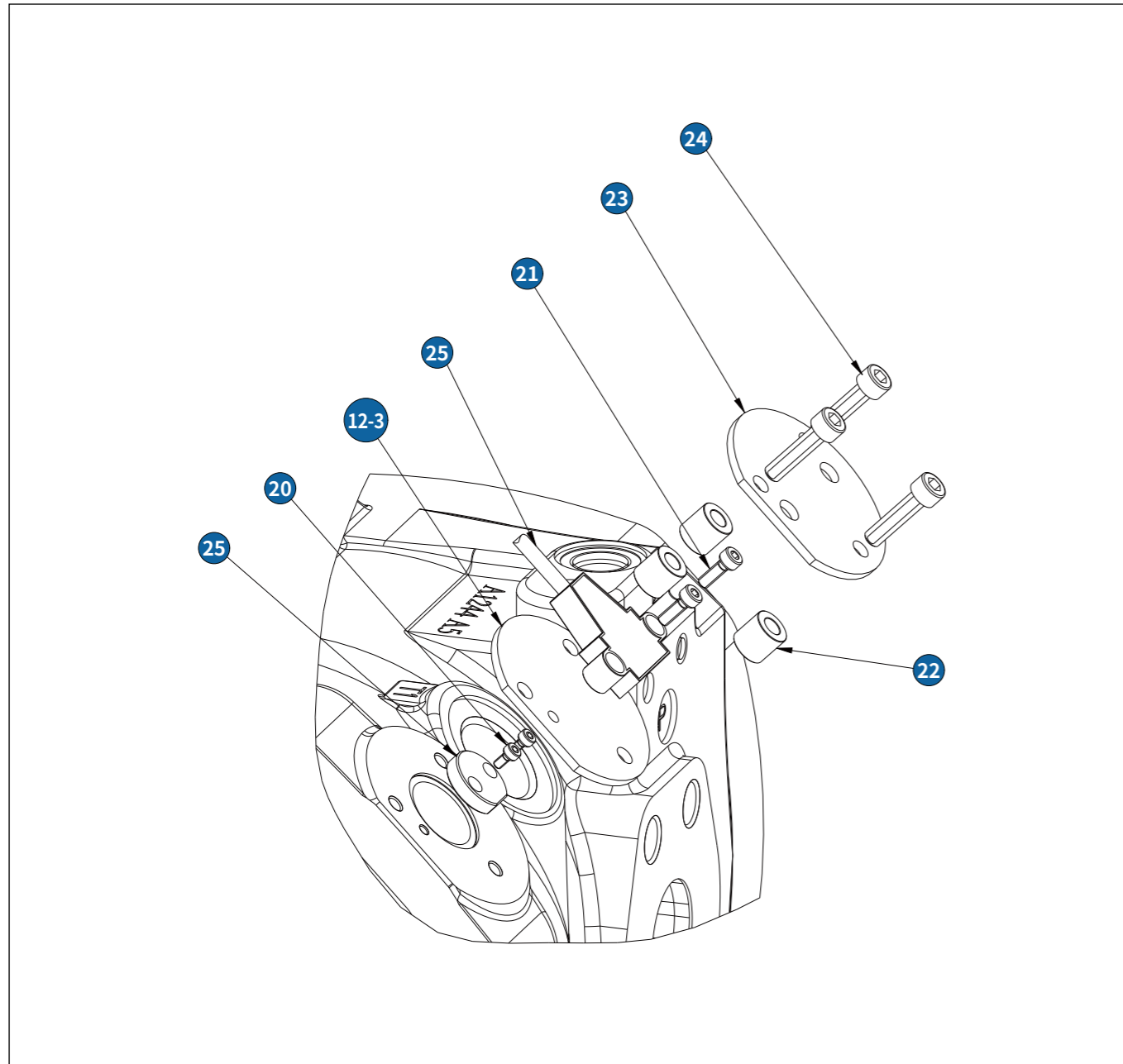
Order code: 0/1/2/3/4/5

Serial No.	Part Name	Specification	Order No.	QTY.per kit	Drawing No.
1	Housing bushing part	V32G200-0510FFG	210000779464	1	V32G200-0410000
2	Seal lock nuts	φ80	210000292413	2	5320144230
3	Limit screws	TCVφ60*φ80*7	210000779715	2	V32G200-0410LTS
4	Spring seat	Spring seat	210000779716	1	V32G200-0320SPS
5	Bushing	φ80*φ63*1.5	210000779689	1	V32G200-0410BSH-02
6	Plug	V30G280-010004	210000292750	13	V30G205-000008
7	Strainer	M8*20	210000354392	1	V30G205-000005
8	Bearing	M5*16	210000780501	1	RNU40*61.5*36V
9	Locator pins (Manifold mounting surface)	φ8*16	210000299775	1	HLPV125-050003
10	Locator pins (Front cover mounting surface)	φ10*22	210000299778	2	V90N130-010002
11	Anti-tamper cap	M14	210000372359	2	M14
12	12-1: Cover plate (Code 0: Without mechanical angle indicator)	V32G200-0400CVR	210000862526	1	V32G200-0400CVR
	12-2: Cover plate (Code 1: With mechanical angle indicator)	V32G145-0400CVR	210000893998	1	V32G145-0400CVR
	12-3: Cover plate (Code 2/3/4/5: With swashplate angle sensor)	V32G200-0400001	210000779718	1	V32G200-0400001
13	Hexagon socket head screws	M6*10	210000206172	3	GB/T 70.1
14	Unidirectional stem	V30G205-000006	210000301718	1	V30G205-000006
15	Check valve seats	V30G205-000007	210000297804	1	V30G205-000007
16	Cross-shaped external plug (with gasket)	M14*1.5	110000047135	1	M14*1.5
17	Hexagon socket plug	M18*1.5	210000293378	1	ISO 6149-4

i Cover plate types: 12-1 standard cover plate; 12-2 cover plate with angled display window (optional); 12-3 cover plate for angle sensor mounting (optional);
 Pilot port types: When the control module incorporates electronic proportional displacement/power control, use parts 14, 15 and 16 for the housing assembly; for all other control modes, use part 17.

3.5.2.5 V32GL205 Angle Sensor Parts(Optional)

·Swashplate angle indicator order codes 2/3/4/5: With swashplate angle sensor



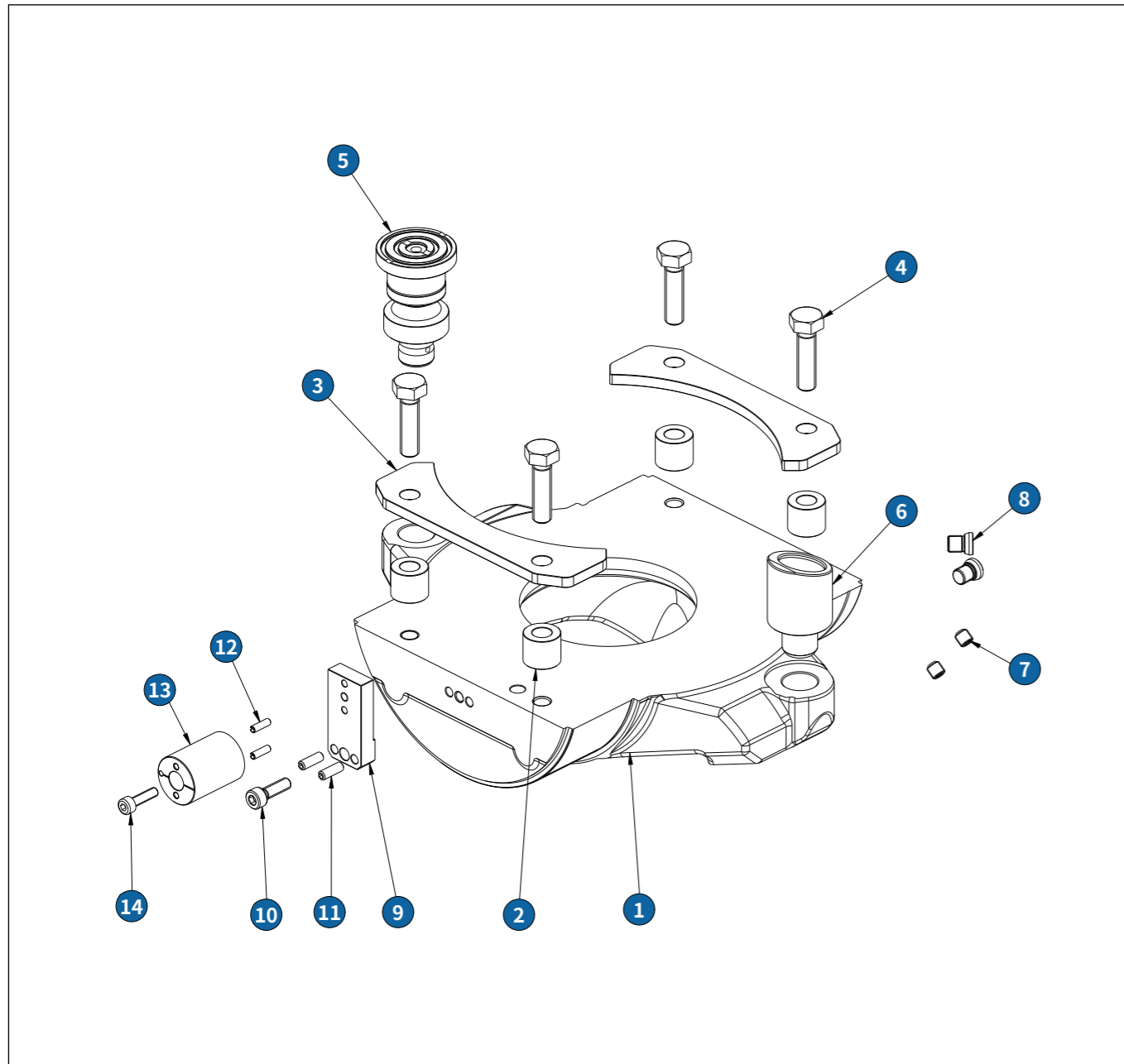
3.5.2.5 V32GL205 Angle Sensor Parts(Optional)

Order code: 2/3/4/5

Serial No.	Part Name	Specification	Order No.	QTY.per kit	Drawing No.
12-3	Cover plate (with swashplate angle sensor)	V32G200-0400001	210000779718	1	V32G200-0400001
20	Hexagon socket head cap screw	M3*6	210000206551	2	GB/T 70.1
21	Hexagon socket head cap screw	M4*12	210000206172	2	GB/T 70.1
22	Spacer	V32G200-0400HBK	210000978350	3	V32G200-0400HBK
23	Cover plate	V32G200-0400CVR-01	210000978353	1	V32G200-0400CVR-01
24	Hexagon socket head cap screw	M6*25	210000294601	3	JIS B 1176
25	Angle sensor	Vert- X32EKb202121×499	210000850609	1	Vert- X32EKb202121×499

3.5.2.6 V32GL205 Variable Parts-Swashplate Parts

- Swashplate angle indicator order codes 0: None; / · Order code 1: With mechanical angle indicator;
- Order code 2/3/4/5: With a tilt angle sensor;



3.5.2.6 V32GL205 Variable Parts-Swashplate Parts

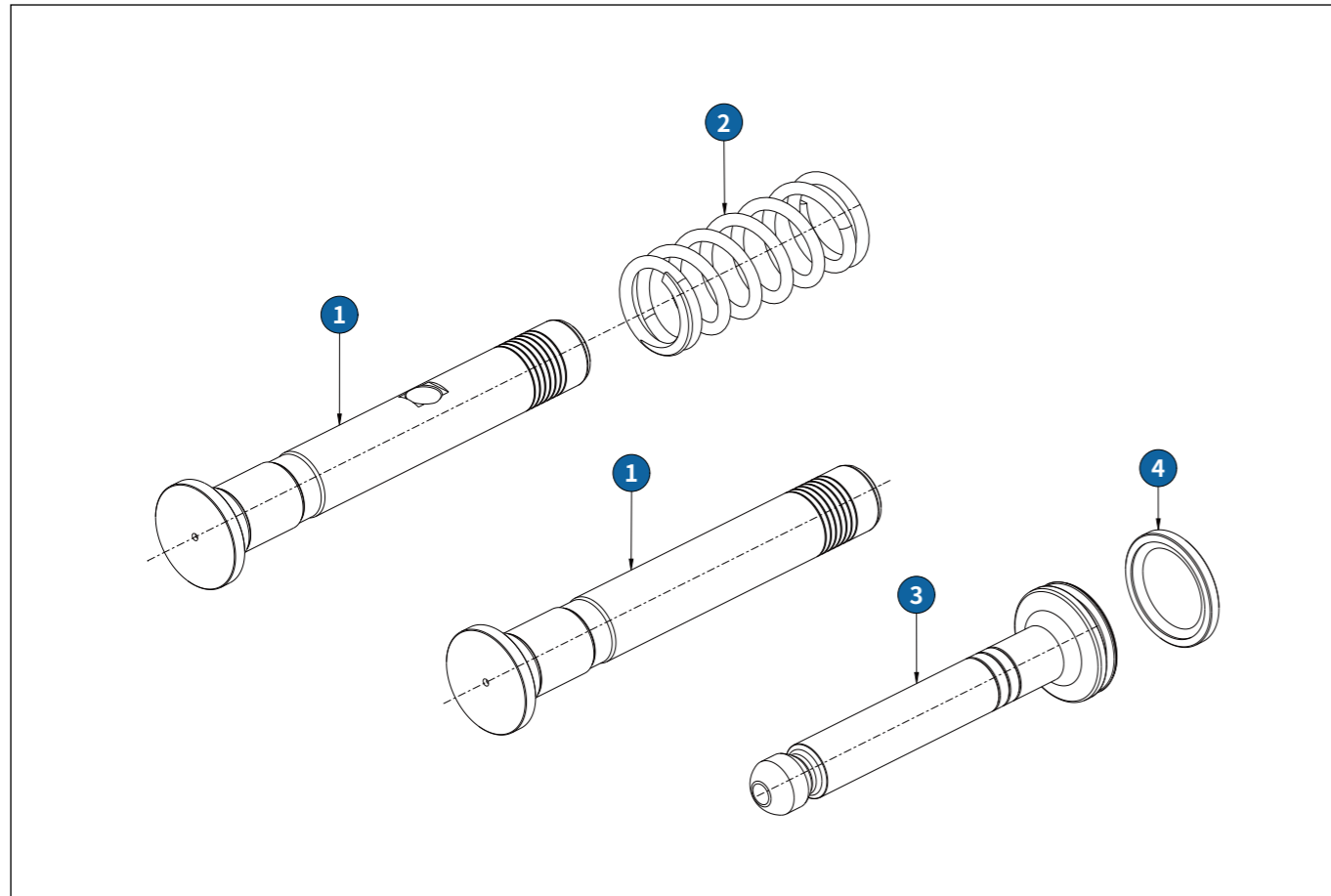
Order code: 0/1/2/3/4/5

Serial No.	Part Name	Specification	Order No.	QTY.per kit	Drawing No.
1	Swashplate	V32G200-0310SWP	210000779666	1	V32G200-0310SWP
2	Spacer	V32G200-0310HBK	210000779711	4	V32G200-0310HBK
3	Clamping plate	V32G200-0310PSP	210000779709	2	V32G200-0310PSP
4	Hexagon head bolt	M8*30	210000352340	4	GB/T 5783
5	Support rod assembly	V32G200-0321000	210000779661	1	V32G200-0321000
6	Piston seat	V32G200-0310PTS	210000779702	1	V32G200-0310PTS
7	Throttle plug	M6*1	210000293676	2	HLPV75-050001
8	Plug	M7*0.75	210000292750	2	V30G205-000008
9	Locating plate*	V32G200-0310001	210000779708	1	V32G200-0310001
10	Hexagon socket head cap screw*	M5*16	210000206155	1	GB/T 70.1
11	Spring-loaded cylindrical pin*	4*12	210000295850	2	GB/T 879.1
12	Spring-loaded cylindrical pin*	3*10	210000293361	2	GB/T 879.2
13	Mounting block*	V32G200-0310002	210000779712	1	V32G200-0310002
14	Hexagon socket head cap screw*	M4*15	210000312876	1	GB/T 70.1

i ** indicates an optional feature when selecting swashplate angle display codes 1/2/3/4/5 (angle display/angle sensor).

3.5.2.6 V32GL205 Variable Parts-Piston Parts

· Order code: Piston parts compatible with different control module codes.

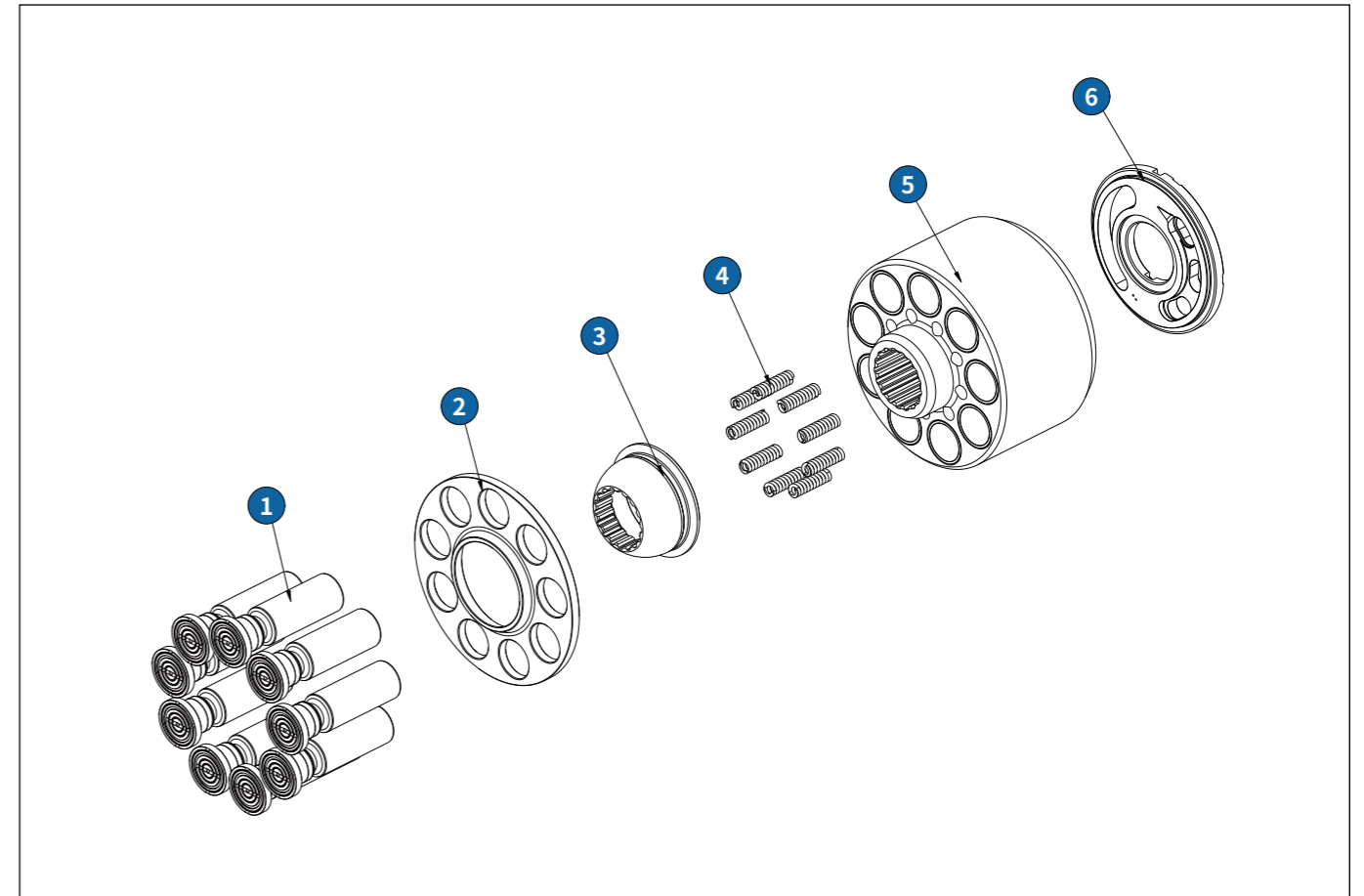


Serial No.	Part Name	Specification	Order No.	QTY.per kit	Drawing No.
1	Piston (with hole)	V32G200-0320RPS	210000787315	1	V32G200-0320RPS
	Piston (without hole)	V32G200-0320RPS-01	210000988647	1	V32G200-0320RPS-01
2	Spring	31.2/4.3*88/7.75	210000779463	1	V32G200-0320001
3	Piston	V32G200-0320CPS	210000779710	1	V32G200-0320CPS
4	Sealing ring for bore	φ41.54*30.54*4.2	110000112584	1	SPS000415-P2F1

i The model codes for control modules compatible with pistons with orifices are LRDRE1, LRDGE1, LRS0E1, L1DRE1, LRDS, LRDG, L1S0, DGE1 and DRE1 (control valves with feedback rods); the model codes for control modules compatible with pistons without orifices are DRS0 and DRDG (control valves without feedback rods).

3.5.2.7 V32GL205 Rotation Parts

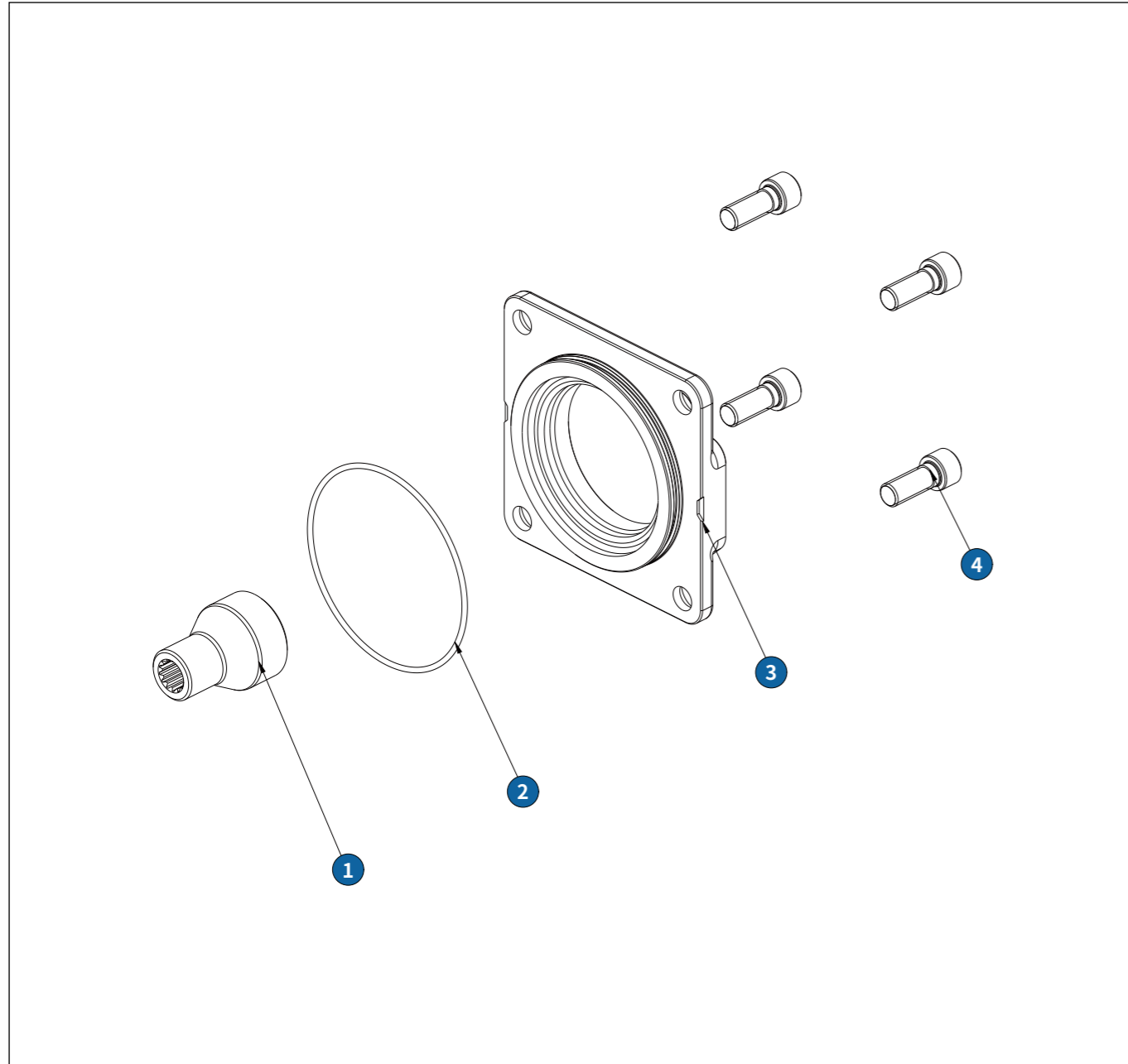
· Order code: Rotation parts are not subject to selection codes.



Serial No.	Part Name	Specification	Order No.	QTY.per kit	Drawing No.
1	Piston assembly	V32G200-0220000	210000779453	9	V32G200-0220000
2	Slipper retainer	V32G200-0230RTP	210000779662	1	V32G200-0230RTP
3	Slipper retainer guide	HP3V212D-072001	210000303083	1	HP3V212D-072001
4	Spring	7.85/2.3*40.62/11.5	210000292445	9	HP3V212D-070001
5	Cylinder block	V32G200-0211000	210000779468	1	V32G200-0211000
6	Valve plate	V32G200-0212CTP	210000779663	1	V32G200-0212CTP

3.5.2.8 V32GL205 Adapter Plate Parts

Through drive order code: A1/B1/B2/C1/C2/D1/D3/E1/E2



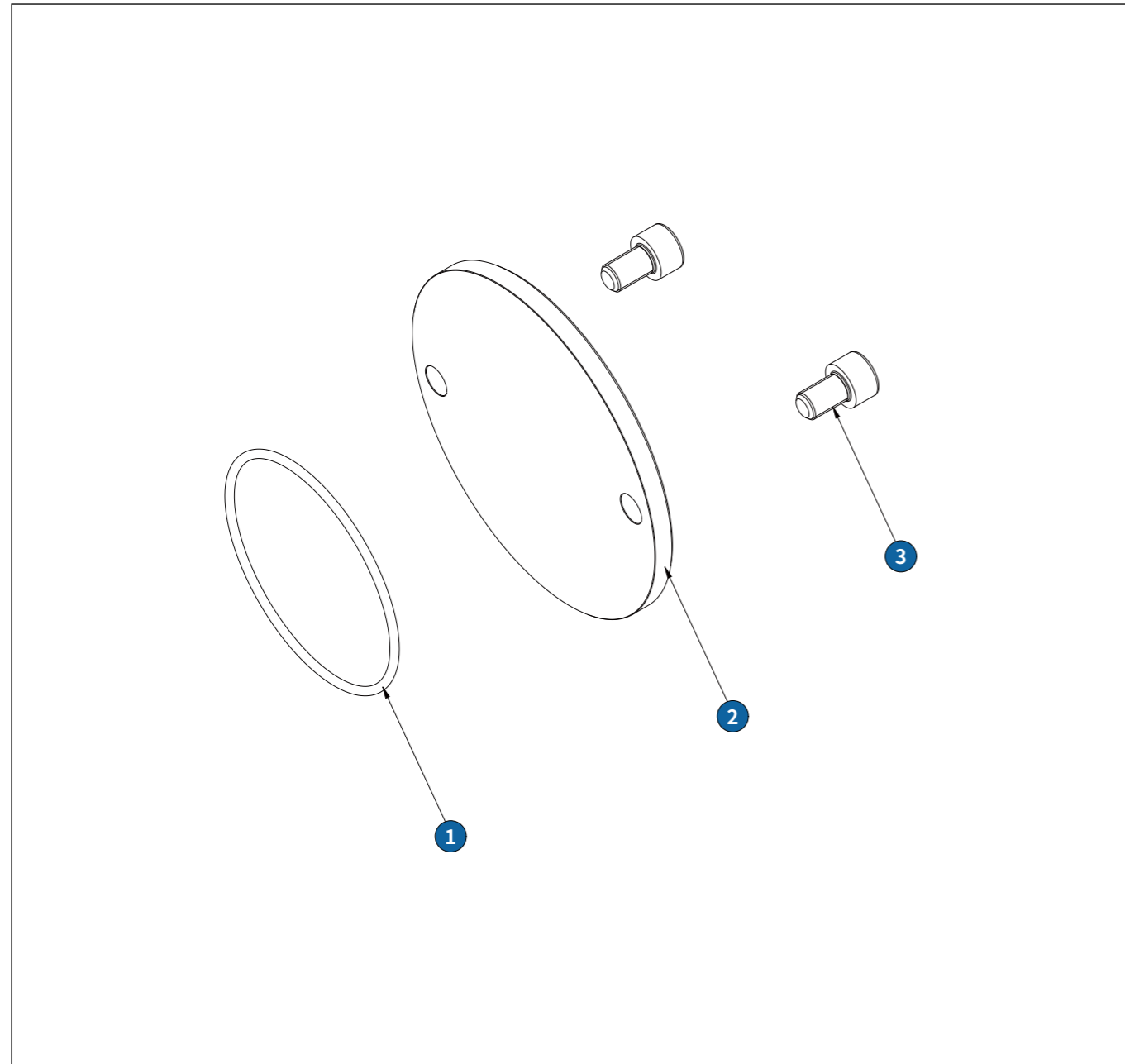
3.5.2.8 V32GL205 Adapter Plate Parts

Order code: A1/B1/B2/C1/C2/D1/D3/E1/E2

Serial No.	Part Name	Through Drive	Specification	Order No.	QTY.per kit	Drawing No.
1	Coupling	A1	V30G205-00000C	210000802193	1	V30G205-00000C
		B1	V30G205-000009	210000302236	1	V30G205-000009
		B2	V30G205-000010	210000398168	1	V30G205-000010
		C1/C2	V30G205-1-00000A	210000515261	1	V30G205-1-00000A
		D1	V30G205-1-000012-13T-D1	210000611615	1	V30G205-1-000012-13T-D1
		D3	V30G205-1-000008	210000358202	1	V30G205-1-000008
		E1	V32G205-0410CPL-D40-A15	210001003682	1	V32G205-0410CPL-D40-A15
		E2	V30G205-1-000001	210000301918	1	V30G205-1-000001
2	O-ring	A1/B1/B2/C1/C2/E1/E2	φ136*3.55	210000294246	1	C1360G
		D1/D3 (normal temperature)	φ136*3.55	210000294246	1	C1360G
			φ129.4*3.1	110000110231	1	ORG130-F5
		D1/D3 (low temperature)	φ136*3.55	210000294246	1	C1360G
			φ129.4*3.1	110000067717	1	622-0990
		3	Adapter plate	A1	V30G205-00000B	210000383089
B1/B2	V30G205-00000A			210000303209	1	V30G205-00000A
C1/C2	V30G205-1-000009			210000386960	1	V30G205-1-000009
D1/D3	V30G205-1-000002			210000299712	1	V30G205-1-000002
	V30G205-1-000003			210000303210	1	V30G205-1-000003
E1	V32G205-0510ADP-03			210001017757	1	V32G205-0510ADP-03
E2	V32G200-0510ADP			210000886878	1	V32G200-0510ADP
4	Screws	A1/B1/B2/C1/C2/E2	M16*40	210000205947	4	GB/T 70.1
		D1/D3	M16*40	210000205947	4	GB/T 70.1
			M12*30	210000206898	8	GB/T 70.1
		E1	M16*60	210000294058	4	JIS B 1176

3.5.2.9 V32GL205 Cover Plate Parts

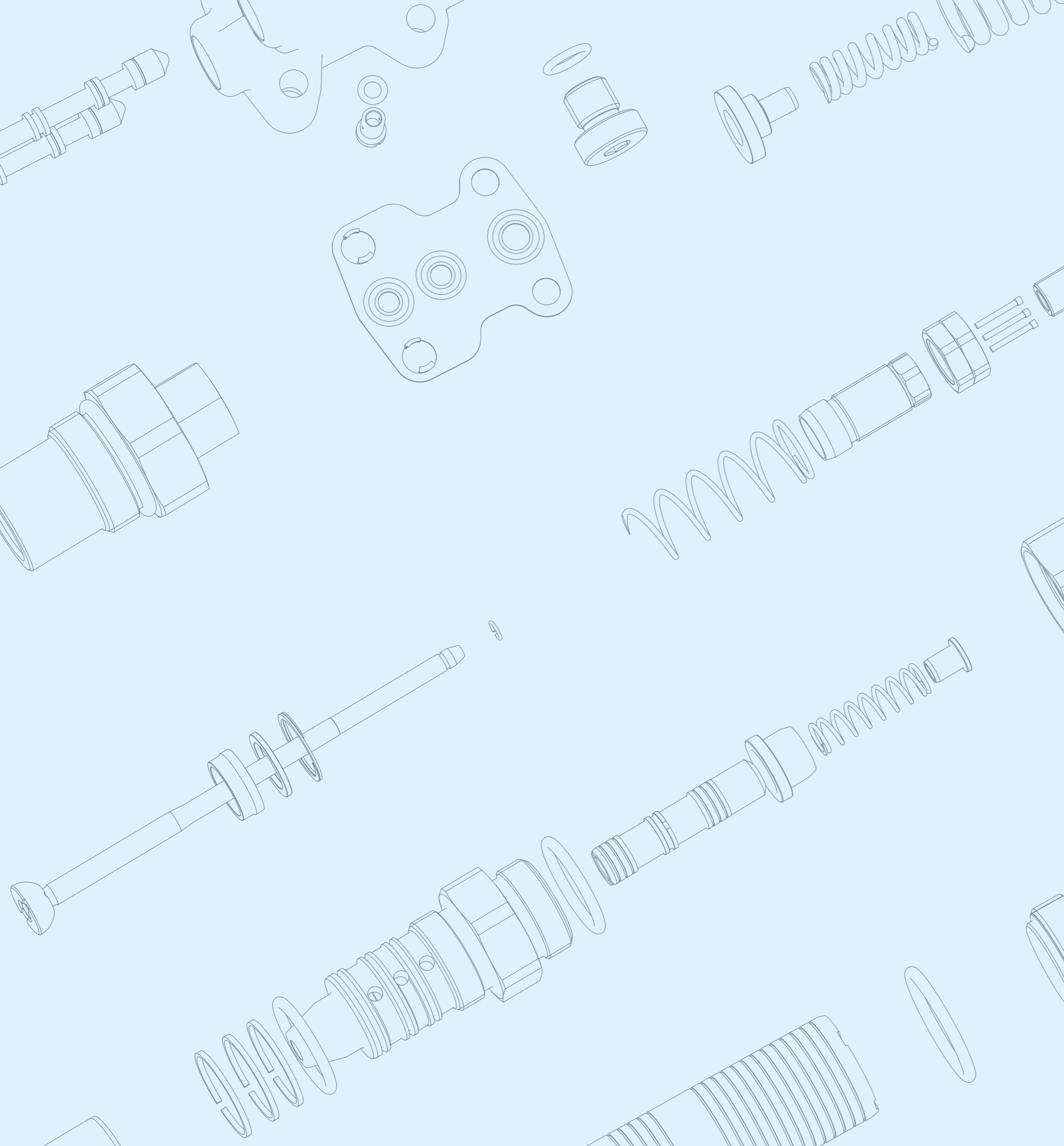
Through drive order code: 0/A1/B1/B2/C1/C2/D1/D3/E1/E2



3.5.2.9 V32GL205 Cover Plate Parts

Order code: 0/A1/B1/B2/C1/C2/D1/D3/E1/E2

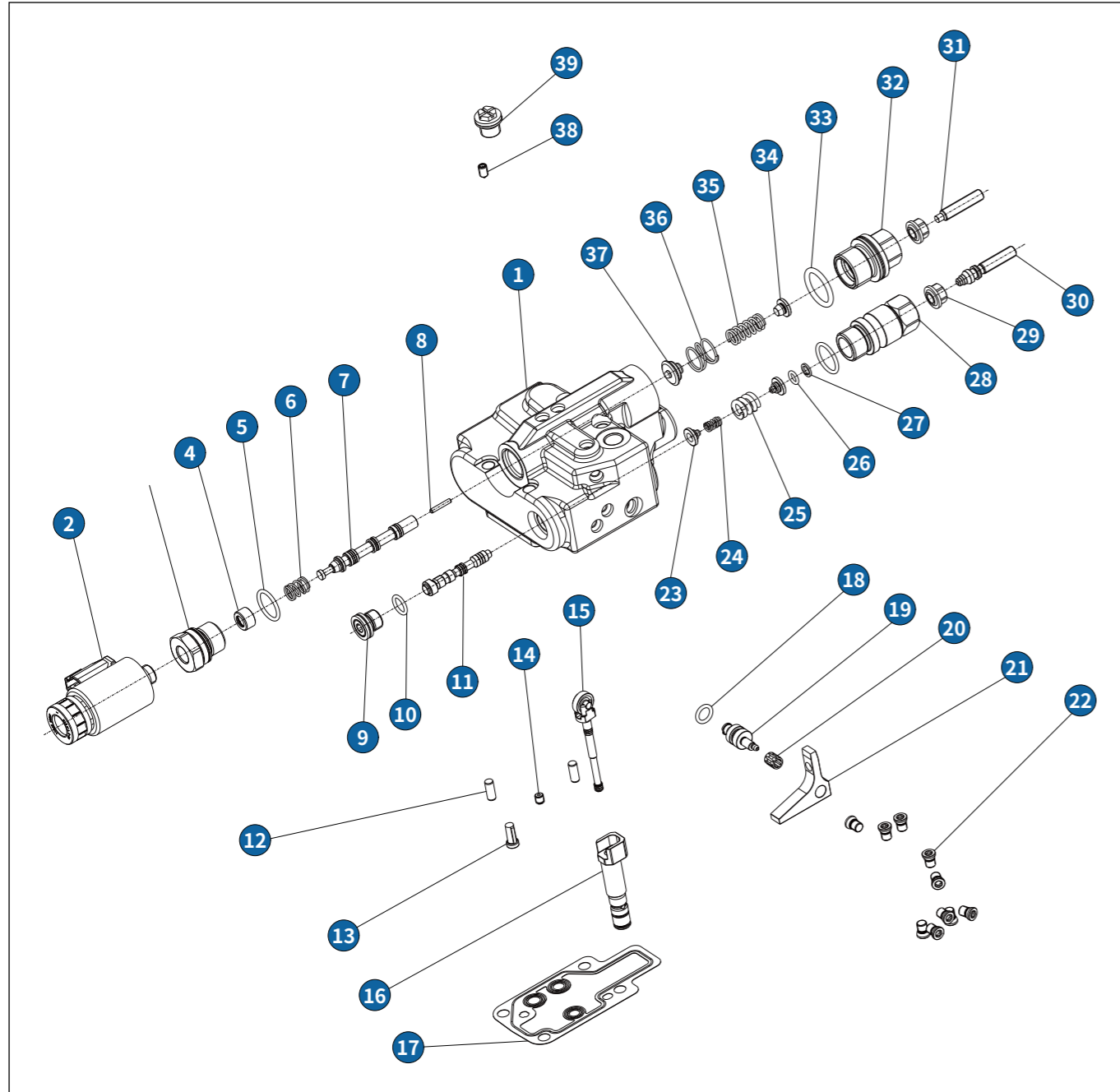
Serial No.	Part Name	Through Drive	Specification	Order No.	QTY.per kit	Drawing No.
1	O-ring	No through drive(normal temperature)	φ159.4*3.1	110000071841	1	OR3101594-F5
		No through drive(low temperature)	φ159.4*3.1	110000059389	1	OR31015940-N8
		A1 (normal temperature)	φ84.4*3.1	110000022868	1	G-85
		A1 (low temperature)	φ84.4*3.1	110000059383	1	ORG85-N8
		B1/B2 (normal temperature)	φ104.4*3.1	110000057622	1	ORG105-F5
		B1/B2 (low temperature)	φ104.4*3.1	110000107045	1	ORG105-N8
		C1/C2 (normal temperature)	φ129.4*3.1	110000110231	1	ORG130-F5
		C1/C2 (low temperature)	φ129.4*3.1	210000457447	1	G-130
		D1/D3 (normal temperature)	φ154.4*3.1	110000051065	1	154.4*3.1
		D1/D3 (low temperature)	φ154.4*3.1	110000059386	1	OR31015440-N8
		E1/E2 (normal temperature)	φ166.4*3.1	110000062801	1	OR31016640-F5
		E1/E2 (low temperature)	φ166.4*3.1	110000110156	1	OR3101664-N8
2	Cover plate	No through drive	V30G205-000003	210000292718	1	V30G205-000003
		A1	HLPV75B-1-000003	210000293985	1	HLPV75B-1-000003
		B1/B2	V30G205-00000D	210000293986	1	V30G205-00000D
		C1/C2	V30G145A-000005-SY	210000386903	1	V30G145A-000005-SY
		D1/D3	V32G200-0810CVR-01	210000978356	1	V32G200-0810CVR-01
		E1/E2	HP4VG175-000004	210000371358	1	HP4VG175-000004
3	Screws	No through drive	M16*40	210000205947	4	GB/T 70.1
		A1	M10*16	210000293953	2	JIS B 1176
		B1/B2	M12*25	210000208739	4	GB/T 5782
		C1/C2	M16*30	210000205944	2	GB/T 70.1
		D1/D3	M20*30	210000951687	4	GB/T 70.1
		E1/E2	M20*35	210000205991	4	GB/T 70.1



Control Valve

3.8 Control Parts

Order code L1S0: Electro-proportional power + Load sensitive



Order code: L1S0

L1S0 Control (Electro-proportional Power + Load Sensitive)					
Serial No.	Part Name	Specification	Order No.	QTY.per kit	Drawing No.
1	Valve body	V32G205-0611VST-02	210000826141	1	V32G205-0611VST-02
2	Proportionalsolenoid	GP4045A55/114	210000377636	1	GP4045A55/114
3	Solenoid mounting fittings	V30G205B-010003	210000298213	1	V30G205B-010003

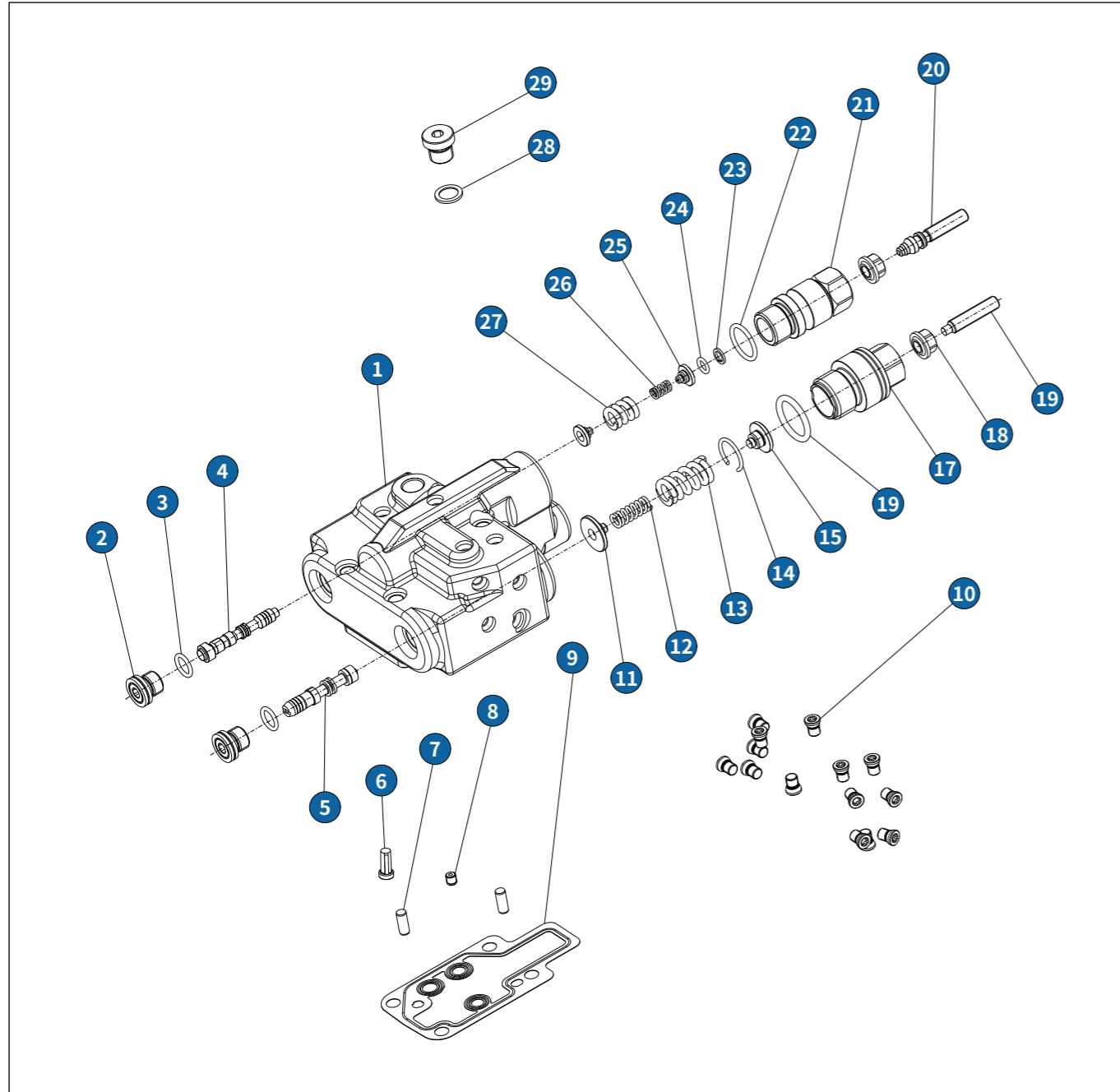
3.8 Control Parts

Order code: L1S0

L1S0 Control (Electro-proportional Power + Load Sensitive)					
Serial No.	Part Name	Specification	Order No.	QTY.per kit	Drawing No.
4	Spring seat	V30G205B-010005	210000403437	1	V30G205B-010005
5	O-ring	φ19.8*2.4	110000065132	2	ORP20-F5
6	Spring	10.3/1.2*36.5/8	210000293810	1	V30G205-070023
7	Spool	V30G205B-010002	210000411553	1	V30G205B-010002
8	Thimble	V30G205-070028	210000303452	1	V30G205-070028
9	Hexagonal plug	M14*1.5	210000293377	1	ISO 6149-4
10	O-ring	φ11.3*2.2	110000051055	1	OR2201130
11	Spool	V30G205A-030002-A	210000418746	1	V30G205A-030002-A
12	Pin	φ6*15	210000299784	2	V90N130-OC0002
13	Strainer	V30G205A-030010	210000418952	1	V30G205A-030010
14	Throttle plug	M6(2)	210000294116	1	4MN-06K2.0
15	Roller assembly	V30G205B-011000	210000444707	1	V30G205B-011000
16	Feedback lever	V30G205B-010004	210000443208	1	V30G205B-010004
17	Sealing gasket	V30G205-070032	210000464529	1	V30G205-070032
18	O-ring	φ9.8*2.4	210000294687	1	P-10A
19	Locator pin	V30G205-070026	210000393995	1	V30G205-070026
20	Needle roller cage assembly	φ6*φ9*10	210000352295	1	K6*9*10TN
21	Lever	V32G300-0600002	210000790111	1	V32G300-0600002
22	Screw plug	M7*0.75	210000292750	10	V30G205-000008
23	Spring seat	V30G205A-030005	210000418768	2	V30G205A-030005
24	Spring	5.8/1.1*24/10.75	210000559361	1	V30G205A-030006
25	Spring	11.3/3*25.3/4	210000418468	1	V30G205A-030007
26	O-ring	φ6.8*1.9	110000066873	1	ORP7-F5
27	Open retaining ring	φ10*φ7*1.25	210000418244	1	JIS B 2401-4-T1-P7
28	Screw bushings	V30G205A-030008	210000418770	1	V30G205A-030008
29	Seal lock nut	M8*1	210000295823	2	05310083230
30	Adjusting screw	M8*1	210000418771	1	V30G205A-030009
31	Adjusting screw	JIS B 1176	210000299153	1	V30G205-070016
32	Sleeve	V30G205-070017	210000301964	1	V30G205-070017
33	O-ring	φ23.7*3.5	110000108198	1	ORP24-F5
34	Spring seat	V30G205-070018	210000299052	1	V30G205-070018
35	Spring	10.4/1.5*31.9/7	210000403001	1	V30G205-070035
36	Spring	17.6/1.4*43.5/3.5	210000403000	1	V30G205-070036
37	Spring seat	V30G205-070021	210000301793	1	V30G205-070021
38	Locator screws	JIS B 1176	210000302245	1	V30G205-070027
39	Phillips outer plug(with gasket)	M14*1.5	110000047135	1	M14*1.5

3.8 Control Parts

· Order code DRS0: Pressure Cut-off + Load Sensitive



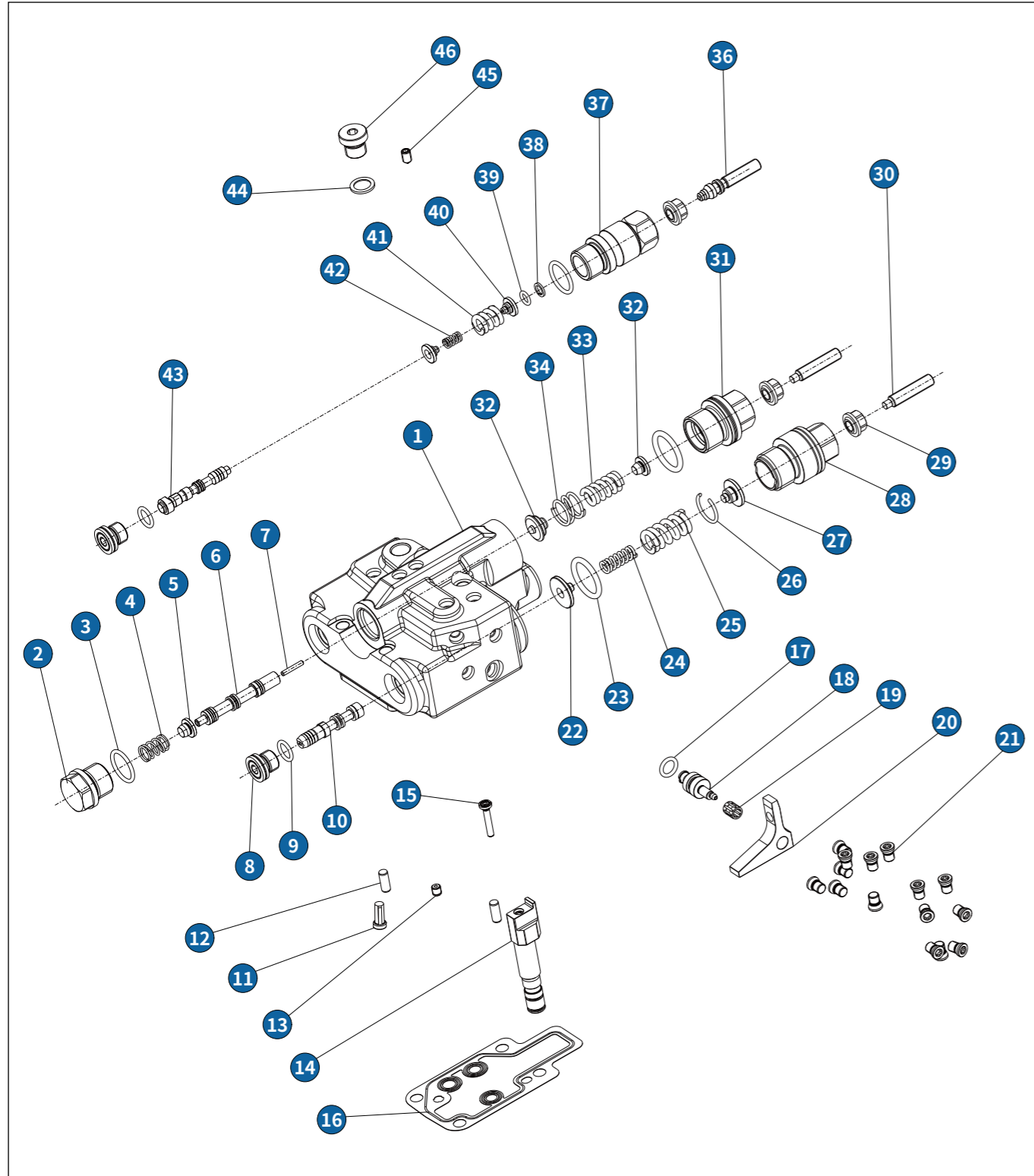
3.8 Control Parts

Order code: DRS0

DRS0 Control (Pressure Cut-off + Load Sensitive)					
Serial No.	Part Name	Specification	Order No.	QTY.per kit	Drawing No.
1	Valve body	V32G200-0611VST-04	210000940122	1	V32G200-0611VST-04
2	Hexagonal plug	M14*1.5	210000293377	2	ISO 6149-4
3	O-ring	φ11.3*2.2	110000051055	2	OR2201130
4	Spool	V30G205A-030002-A	210000418746	1	V30G205A-030002-A
5	Spool	V30G205-070015	210000301638	1	V30G205-070015
6	Strainer	V30G205A-030010	210000418952	1	V30G205A-030010
7	Pin	φ6*15	210000299784	2	V90N130-0C0002
8	Throttle plug	M6(2)	210000294116	1	4MN-06K2.0
9	Sealing gasket	V30G205-070032	210000464529	1	V30G205-070032
10	Screw plug	M7*0.75	210000292750	14	V30G205-000008
11	Spring seat	V30G205-070014	210000299203	1	V30G205-070014
12	Spring	7.8/1.6*35.7/10	210000295829	1	V30G205-070013
13	Spring	13.65/3.2*41.8/6.5	210000292425	1	V30G205-070012
14	Wire retaining ring for hole	φ20	210000294066	1	GB 895.1
15	Spring seat	V30G205-070011	210000299612	1	V30G205-070011
16	O-ring	φ23.7*3.5	110000108198	1	ORP24-F5
17	Adjusting sleeve	V30G205-070010	210000302033	1	V30G205-070010
18	Seal lock nut	M8*1	210000295823	2	05310083230
19	Adjusting screw	JIS B 1176	210000299153	1	V30G205-070016
20	Adjusting screw	M8*1	210000418771	1	V30G205A-030009
21	Sleeve	V30G205A-030008	210000418770	1	V30G205A-030008
22	O-ring	φ19.8*2.4	110000065132	1	ORP20-F5
23	Open retaining ring	φ10*φ7*1.25	210000418244	1	JIS B 2401-4-T1-P7
24	O-ring	φ6.8*1.9	110000066873	1	ORP7-F5
25	Spring seat	V30G205A-030005	210000418768	2	V30G205A-030005
26	Spring	5.8/1.1*24/10.75	210000559361	1	V30G205A-030006
27	Spring	11.3/3*25.3/4	210000418468	1	V30G205A-030007
28	E-shaped combinating ring	G1/4A	210000293574	1	ISO 1179-2
29	Plug	M14*1.5	210000294369	1	HLPV140I-020002

3.8 Control Parts

Order code LRDS: Mechanical Power + Pressure Cut-off + Load Sensitive



3.8 Control Parts

Order code: LRDS

LRDSControl (Mechanical Power + Pressure Cut-off + Load Sensitive)					
Serial No.	Part Name	Specification	Order No.	QTY.per kit	Drawing No.
1	Valve body	V32G205-0611VST-01	210000826140	1	V32G205-0611VST-01
2	Plug	M22*1.5	210000293863	1	V30G205-070029
3	O-ring	φ19.8*2.4	110000065132	2	ORP20-F5
4	Spring	10.3/1.2*36.5/8	210000293810	1	V30G205-070023
5	Spring seat	V30G205-070033	210000301799	1	V30G205-070033
6	Spool	V30G205-070022	210000382548	1	V30G205-070022
7	Thimble	V30G205-070028	210000303452	1	V30G205-070028
8	Hexagonal plug	M14*1.5	210000293377	2	ISO 6149-4
9	O-ring	φ11.3*2.2	110000051055	2	OR2201130
10	Spool	V30G205-070015	210000301638	1	V30G205-070015
11	Strainer	V30G205A-030010	210000418952	1	V30G205A-030010
12	Pin	φ6*15	210000299784	1	V90N130-OC0002
13	Throttle plug	M6(2)	210000294116	1	4MN-06K2.0
14	Feedback lever	V30G205A-030004	210000535457	1	V30G205A-030004
15	Piston assembly	V30G205-071000	210000300307	1	V30G205-071000
16	Sealing gasket	V30G205-070032	210000464529	1	V30G205-070032
17	O-ring	φ9.8*2.4	210000294687	1	P-10A
18	Locator pin	V30G205-070026	210000393995	1	V30G205-070026
19	Needle roller cage parts	φ6*φ9*10	210000352295	1	K6*9*10TN
20	Lever	V32G300-0600002	210000790111	1	V32G300-0600002
21	Plug	M7*0.75	210000292750	15	V30G205-000008
22	Spring seat	V30G205-070014	210000299203	1	V30G205-070014
23	O-ring	φ23.7*3.5	110000108198	2	ORP24-F5
24	Spring	7.8/1.6*35.7/10	210000295829	1	V30G205-070013
25	Spring	13.65/3.2*41.8/6.5	210000292425	1	V30G205-070012
26	Wire retaining ring for hole	φ20	210000294066	1	GB 895.1
27	Spring seat	V30G205-070011	210000299612	1	V30G205-070011
28	Adjusting sleeve	V30G205-070010	210000302033	1	V30G205-070010
29	Seal lock nut	M8*1	210000295823	3	05310083230
30	Adjusting screw	JIS B 1176	210000299153	2	V30G205-070016
31	Sleeve	V30G205-070017	210000301964	1	V30G205-070017
32	Spring seat	V30G205-070018	210000299052	1	V30G205-070018

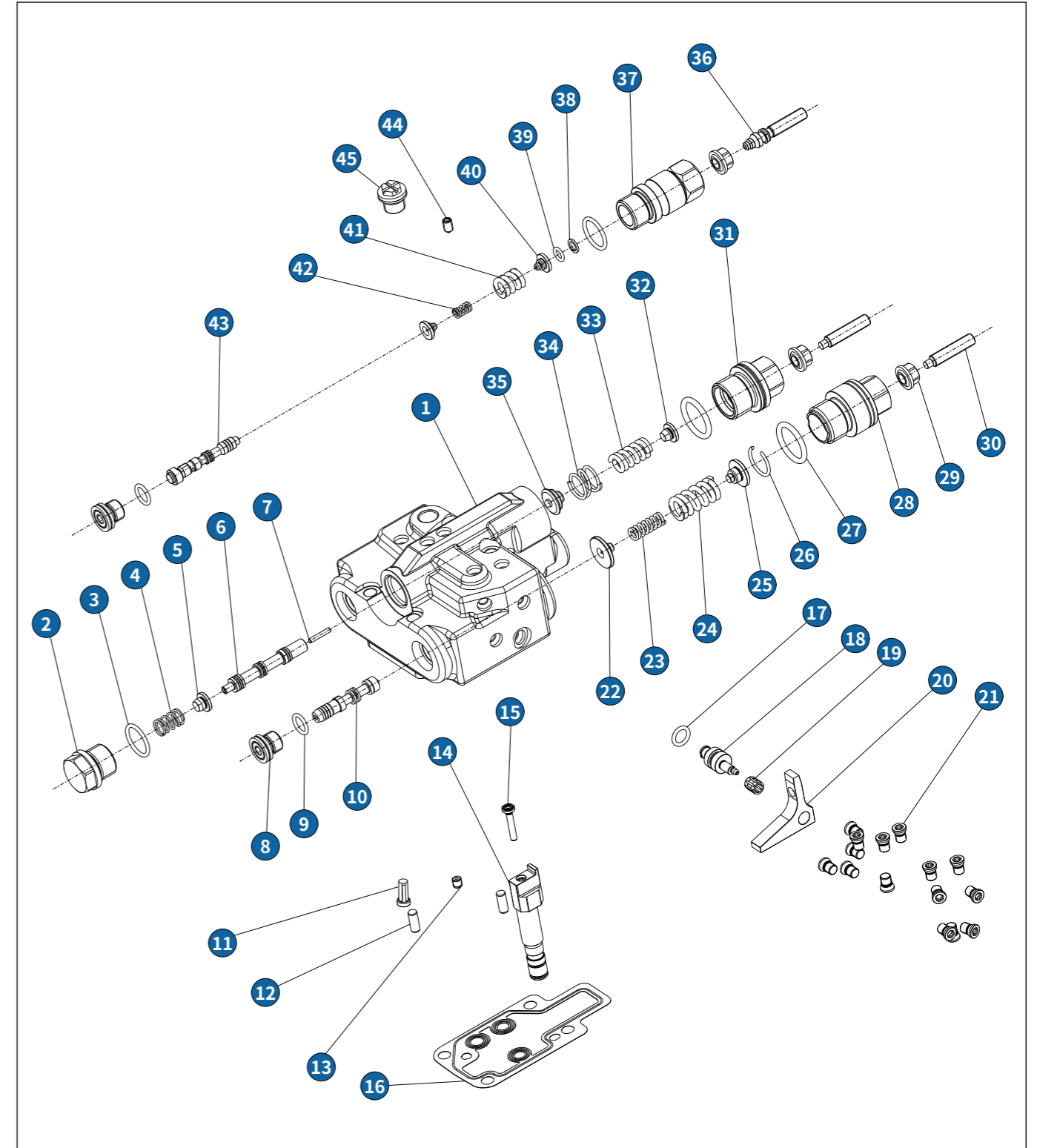
3.8 Control Parts

Order code: LRDS

LRDSControl (Mechanical Power + Pressure Cut-off + Load Sensitive)					
Serial No.	Part Name	Specification	Order No.	QTY.per kit	Drawing No.
33	Spring	11.2/2.8*33.5/6	210000294225	1	V30G205-070019
34	Spring	17.2/1.8*28.5/3	210000293656	1	V30G205-070020
35	Spring seat	V30G205-070021	210000301793	1	V30G205-070021
36	Adjusting screw	M8*1	210000418771	1	V30G205A-030009
37	Sleeve	V30G205A-030008	210000418770	1	V30G205A-030008
38	Open retaining ring	φ10*φ7*1.25	210000418244	1	JIS B 2401-4-T1-P7
39	O-ring	φ6.8*1.9	110000066873	1	ORP7-F5
40	Spring seat	V30G205A-030005	210000418768	2	V30G205A-030005
41	Spring	11.3/3*25.3/4	210000418468	1	V30G205A-030007
42	Spring	5.8/1.1*24/10.75	210000559361	1	V30G205A-030006
43	Spool	V30G205A-030002-A	210000418746	1	V30G205A-030002-A
44	E-shaped combinating ring	G1/4A	210000293574	1	ISO 1179-2
45	Locator screws	JIS B 1176	210000302245	1	V30G205-070027
46	Plug	M14*1.5	210000294369	1	HLPV140I-020002

3.8 Control Parts

Order code LRDG: Mechanical Power + Pressure Cut-off + Remote Pressure Cut-off



3.8 Control Parts

Order code: LRDG

LRDG Control (Mechanical Power + Pressure Cut-off + Remote Pressure Cut-off)					
Serial No.	Part Name	Specification	Order No.	QTY.per kit	Drawing No.
1	Valve body	V32G205-0611VST-01	210000826140	1	V32G205-0611VST-01
2	Plug	M22*1.5	210000293863	1	V30G205-070029
3	O-ring	φ19.8*2.4	110000065132	2	ORP20-F5
4	Spring	10.3/1.2*36.5/8	210000293810	1	V30G205-070023
5	Spring seat	V30G205-070033	210000301799	1	V30G205-070033
6	Spool	V30G205-070022	210000382548	1	V30G205-070022
7	Thimble	V30G205-070028	210000303452	1	V30G205-070028
8	Hexagonal plug	M14*1.5	210000293377	2	ISO 6149-4
9	O-ring	φ11.3*2.2	110000051055	2	OR2201130
10	Spool	V30G205-070015	210000301638	1	V30G205-070015
11	Strainer	V30G205A-030010	210000418952	1	V30G205A-030010
12	Pin	φ6*15	210000299784	1	V90N130-0C0002
13	Throttle plug	M6(2)	210000294116	1	4MN-06K2.0
14	Feedback lever	V30G205A-030004	210000535457	1	V30G205A-030004
15	Piston assembly	V30G205-071000	210000300307	1	V30G205-071000
16	Sealing gasket	V30G205-070032	210000464529	1	V30G205-070032
17	O-ring	φ9.8*2.4	210000294687	1	P-10A
18	Locator pin	V30G205-070026	210000393995	1	V30G205-070026
19	Needle roller cage parts	φ6*φ9*10	210000352295	1	K6*9*10TN
20	Lever	V32G300-0600002	210000790111	1	V32G300-0600002
21	Plug	M7*0.75	210000292750	15	V30G205-000008
22	Spring seat	V30G205-070014	210000299203	1	V30G205-070014
23	O-ring	φ23.7*3.5	110000108198	2	ORP24-F5
24	Spring	7.8/1.6*35.7/10	210000295829	1	V30G205-070013
25	Spring	13.65/3.2*41.8/6.5	210000292425	1	V30G205-070012
26	Wire retaining ring for hole	φ20	210000294066	1	GB 895.1
27	Spring seat	V30G205-070011	210000299612	1	V30G205-070011
28	Adjusting sleeve	V30G205-070010	210000302033	1	V30G205-070010
29	Seal lock nut	M8*1	210000295823	3	05310083230
30	Adjusting screws	JIS B 1176	210000299153	2	V30G205-070016
31	Sleeve	V30G205-070017	210000301964	1	V30G205-070017
32	Spring seat	V30G205-070018	210000299052	1	V30G205-070018

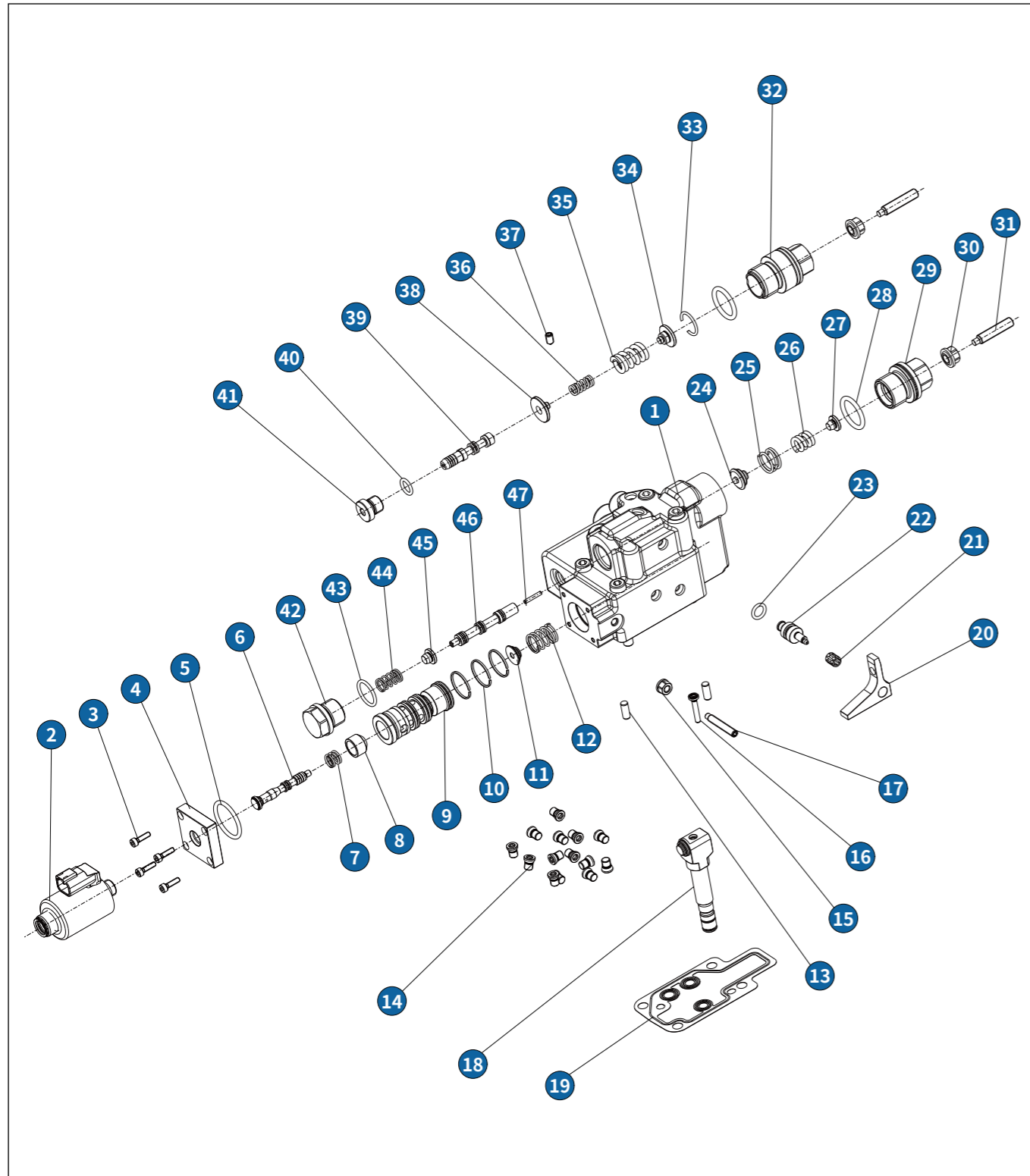
3.8 Control Parts

Order code: LRDG

LRDG Control (Mechanical Power + Pressure Cut-off + Remote Pressure Cut-off)					
Serial No.	Part Name	Specification	Order No.	QTY.per kit	Drawing No.
33	Spring	11.2/2.8*33.5/6	210000294225	1	V30G205-070019
34	Spring	17.2/1.8*28.5/3	210000293656	1	V30G205-070020
35	Spring seat	V30G205-070021	210000301793	1	V30G205-070021
36	Adjusting screw	M8*1	210000418771	1	V30G205A-030009
37	Sleeve	V30G205A-030008	210000418770	1	V30G205A-030008
38	Open retaining ring	φ10*φ7*1.25	210000418244	1	JIS B 2401-4-T1-P7
39	O-ring	φ6.8*1.9	110000066873	1	ORP7-F5
40	Spring seat	V30G205A-030005	210000418768	2	V30G205A-030005
41	Spring	11.3/3*25.3/4	210000418468	1	V30G205A-030007
42	Spring	5.8/1.1*24/10.75	210000559361	1	V30G205A-030006
43	Spool	V30G205D-030002-A	210000442057	1	V30G205D-030002-A
44	Locator screws	JIS B 1176	210000302245	1	V30G205-070027
45	Phillips outer plug (with gasket)	M14*1.5	110000047135	1	M14*1.5

3.8 Control Parts

Order code LRDRE1: Mechanical Power + Electric Proportional Displacement + Pressure Cut-off



3.8 Control Parts

Order code: LRDRE1

LRDRE1 Control (Mechanical Power + Electric Proportional Displacement + Pressure Cut-off)					
Serial No.	Part Name	Specification	Order No.	QTY.per kit	Drawing No.
1	Valve body	V32G300-0611VST	210000782319	1	V32G300-0611VST
2	Proportional solenoid	GP4045A55/114	210000377636	1	GP4045A55/114
3	Hexagon socket cheese head screws	M4*14	210000206454	4	GB/T 70.1
4	Solenoid mounting block	V30G065-070007	210000533949	1	V30G065-070007
5	O-ring	φ29.4*3.1	110000022871	1	G-30
6	Spool	V30G065-070003	210000533504	1	V30G065-070003
7	Spring	10.6/1.4*9.3/2	210000293583	1	V30G205-070004
8	Adjusting sleeve	V30G205-070005	210000303676	1	V30G205-070005
9	Valve sleeve	V30G065-070002	210000533505	1	V30G065-070002
10	Metal sealing ring	HLPV75-040007	210000921081	3	HLPV75-040007
11	Spring seat	V30G205-070008	210000301990	1	V30G205-070008
12	Spring	15.38/1.47*56.5/10	210000782445	1	V32G200-0600001
13	Pin	φ6*15	210000299784	2	V90N130-0C0002
14	Screw plug	M7*0.75	210000292750	14	V30G205-000008
15	Seal lock nut	M6*1	210000292411	1	05310060230
16	Piston assembly	V30G205-071000	210000300307	1	V30G205-071000
17	Adjusting screw	JIS B 1176	210000299109	1	V30G205-070009
18	Feedback lever	V30G205-070025	210000535459	1	V30G205-070025
19	Sealing gasket	V30G205-070032	210000464529	1	V30G205-070032
20	Lever	V32G300-0600002	210000790111	1	V32G300-0600002
21	Needle roller cage assembly	φ6*φ9*10	210000352295	1	K6*9*10TN
22	Locator pin	V30G205-070026	210000393995	1	V30G205-070026
23	O-ring	φ9.8*2.4	210000294687	1	P-10A
24	Spring seat	V30G205-070021	210000301793	1	V30G205-070021
25	Spring	17.2/1.8*28.5/3	210000293656	1	V30G205-070020
26	Spring	11.2/2.8*33.5/6	210000294225	1	V30G205-070019
27	Spring seat	V30G205-070018	210000299052	1	V30G205-070018
28	O-ring	φ23.7*3.5	110000108198	2	ORP24-F5
29	Sleeve	V30G205-070017	210000301964	1	V30G205-070017
30	Seal lock nut	M8*1	210000295823	2	05310083230
31	Adjusting screw	JIS B 1176	210000299153	2	V30G205-070016
32	Adjusting sleeve	V30G205-070010	210000302033	1	V30G205-070010

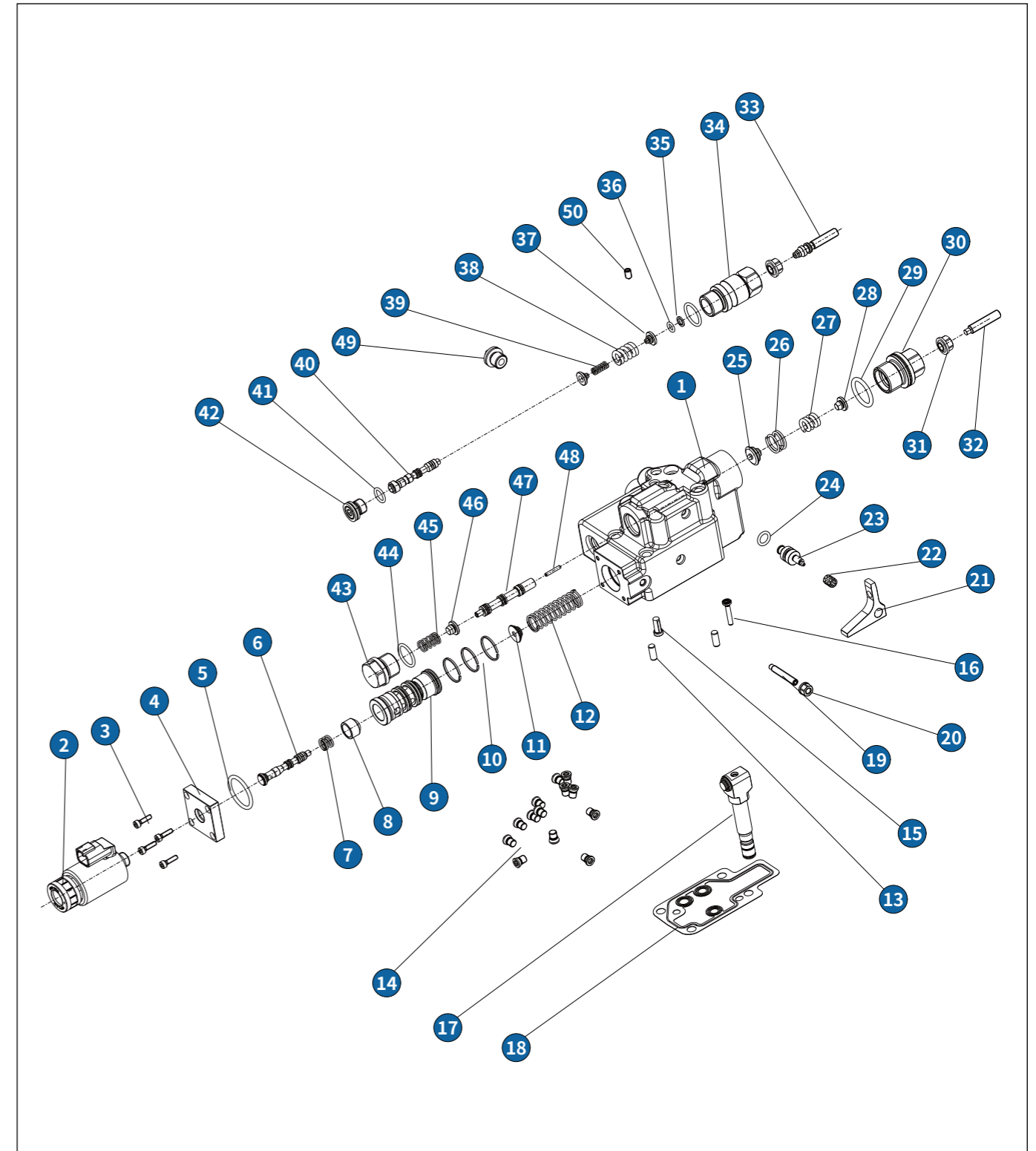
3.8 Control Parts

Order code: LRDRE1

LRDRE1 Control (Mechanical Power + Electric Proportional Displacement + Pressure Cut-off)					
Serial No.	Part Name	Specification	Order No.	QTY.per kit	Drawing No.
33	Wire retaining ring for hole	φ20	210000294066	1	GB 895.1
34	Spring seat	V30G205-070011	210000299612	1	V30G205-070011
35	Spring	13.65/3.2*41.8/6.5	210000292425	1	V30G205-070012
36	Spring	7.8/1.6*35.7/10	210000295829	1	V30G205-070013
37	Locator screws	JIS B 1176	210000302245	1	V30G205-070027
38	Spring seat	V30G205-070014	210000299203	1	V30G205-070014
39	Spool	V30G205-070015	210000301638	1	V30G205-070015
40	O-ring	φ10.8*2.4	110000051054	1	P-11
41	Hexagonal plug	G1/4	210000293555	1	JIS B2351
42	Plug	M22*1.5	210000293863	1	V30G205-070029
43	O-ring	φ19.8*2.4	110000065132	1	ORP20-F5
44	Spring	10.3/1.2*36.5/8	210000293810	1	V30G205-070023
45	Spring seat	V30G205-070033	210000301799	1	V30G205-070033
46	Spool	V30G205-070022	210000382548	1	V30G205-070022
47	Thimble	V30G205-070028	210000303452	1	V30G205-070028

3.8 Control Parts

Order code LRDGE1: Mechanical Power + Electric Proportional Displacement + Remote Pressure



3.8 Control Parts

Order code: LRDGE1

LRDGE1 Control (Mechanical + Electric Proportional Displacement + Remote Pressure)					
Serial No.	Part Name	Specification	Order No.	QTY.per kit	Drawing No.
1	Valve body	V32G205-0611VST-03	210000838912	1	V32G205-0611VST-03
2	Proportional solenoid	GP4045A55/114	210000377636	1	GP4045A55/114
3	Hexagon socket head screws	M4*14	210000206454	4	GB/T 70.1
4	Solenoid mounting block	V30G065-070007	210000533949	1	V30G065-070007
5	O-ring	φ29.4*3.1	110000022871	1	G-30
6	Spool	V30G065-070003	210000533504	1	V30G065-070003
7	Spring	10.6/1.4*9.3/2	210000293583	1	V30G205-070004
8	Adjusting sleeve	V30G205-070005	210000303676	1	V30G205-070005
9	Valve sleeve	V30G065-070002	210000533505	1	V30G065-070002
10	Metal sealing ring	HLPV75-040007	210000921081	3	HLPV75-040007
11	Spring seat	V30G205-070008	210000301990	1	V30G205-070008
12	Spring	15.38/1.47*56.5/10	210000782445	1	V32G200-0600001
13	Pin	φ6*15	210000299784	2	V90N130-0C0002
14	Plug	M7*0.75	210000292750	14	V30G205-000008
15	Strainer	V30G205A-030010	210000418952	1	V30G205A-030010
16	Piston assembly	V30G205-071000	210000300307	1	V30G205-071000
17	Feedback lever	V30G205-070025	210000535459	1	V30G205-070025
18	Sealing gasket	V30G205-070032	210000464529	1	V30G205-070032
19	Adjusting screw	JIS B 1176	210000299109	1	V30G205-070009
20	Seal lock nut	M6*1	210000292411	1	05310060230
21	Lever	V32G300-0600002	210000790111	1	V32G300-0600002
22	Needle roller cage assembly	φ6*φ9*10	210000352295	1	K6*9*10TN
23	Locator pin	V30G205-070026	210000393995	1	V30G205-070026
24	O-ring	φ9.8*2.4	210000294687	1	P-10A
25	Spring seat	V30G205-070021	210000301793	1	V30G205-070021
26	Spring	17.2/1.8*28.5/3	210000293656	1	V30G205-070020
27	Spring	11.2/2.8*33.5/6	210000294225	1	V30G205-070019
28	Spring seat	V30G205-070018	210000299052	1	V30G205-070018
29	O-ring	φ23.7*3.5	110000108198	1	ORP24-F5
30	Sleeve	V30G205-070017	210000301964	1	V30G205-070017
31	Seal lock nut	M8*1	210000295823	2	05310083230
32	Adjusting screw	JIS B 1176	210000299153	1	V30G205-070016

3.8 Control Parts

Order code: LRDGE1

LRDGE1 Control (Mechanical + Electric Proportional Displacement + Remote Pressure)					
Serial No.	Part Name	Specification	Order No.	QTY.per kit	Drawing No.
33	Adjusting screw	M8*1	210000418771	1	V30G205A-030009
34	Sleeve	V30G205A-030008	210000418770	1	V30G205A-030008
35	Open retaining ring	φ10*φ7*1.25	210000418244	1	JIS B 2401-4-T1-P7
36	O-ring	φ6.8*1.9	110000066873	1	ORP7-F5
37	Spring seat	V30G205A-030005	210000418768	2	V30G205A-030005
38	Spring	11.3/3*25.3/4	210000418468	1	V30G205A-030007
39	Spring	5.8/1.1*24/10.75	210000559361	1	V30G205A-030006
40	Spool	V30G205D-030002-A	210000442057	1	V30G205D-030002-A
41	O-ring	φ11.3*2.2	110000051055	1	OR2201130
42	Hexagonal plug	M14*1.5	210000293377	1	ISO 6149-4
43	Screw plug	M22*1.5	210000293863	1	V30G205-070029
44	O-ring	φ19.8*2.4	110000065132	1	ORP20-F5
45	Spring	10.3/1.2*36.5/8	210000293810	1	V30G205-070023
46	Spring seat	V30G205-070033	210000301799	1	V30G205-070033
47	Spool	V30G205-070022	210000382548	1	V30G205-070022
48	Thimble	V30G205-070028	210000303452	1	V30G205-070028
49	Phillips outer plug(with gasket)	M14*1.5	110000047135	1	M14*1.5
50	Locator screws	JIS B 1176	210000302245	1	V30G205-070027

InLine Hydraulik GmbH is a subsidiary of HengLi Hydraulics, which has nearly 70 years of experience in designing and manufacturing axial piston pumps, and its products are renowned for their rugged construction, heavy duty, high reliability, and many control options.

Hengli Hydraulics is the world's leading R&D and manufacturing enterprise of hydraulic components, founded in 1990, headquartered in Changzhou, China, with manufacturing bases and R&D centres in Germany, the United States, Japan, and China, respectively, and is committed to creating more energy-saving and efficient hydraulic transmission and control technology solutions.

For more detailed information, please visit our website at:

www.inlinehydraulik.com

www.henglihydraulics.com



Management Service

We are looking forward to working with you!

Hengli (China)

ADD: No.99 Longqian Road, Wujin District, Changzhou
213167, China
TEL: 86 400 101 8889
E-mail: hengli@henglihydraulics.com

Hengli (America)

ADD: 580 Crossroads Parkway, Bolingbrook, Illinois 60440
TEL: +01 630 995 3674
E-mail: sales@hengliamerica.com

Hengli (Japan)

ADD: 3F, VORT Shibapark II, 2-3-9 Shiba, Minato-Ku, Tokyo,
Japan 105-0014
TEL: +81 03 6809 1696/03 6809 6515
E-mail: daizheng@henglihydraulics.com

Hengli (Indonesia)

ADD: J5Q3+W83, Cicau, Kec. Cikarang Pusat,
Kabupaten Bekasi, Jawa Barat 17530
TEL: +6281119236022
E-mail: xitao@henglihydraulics.com

Hengli (Germany)

ADD: Sperenberger Straße 13D-12277, Berlin
TEL: +49 (30) 72088-0
E-mail: info@inlinehydraulik.com

Hengli (Mexico)

ADD: Parque Industrial Finsa.Lote 2B1, Santa Catarina,Nuevo
Leon, Mexico
TEL: +52 8143014234
E-mail: shirenwei@henglihydraulics.com

Hengli (India)

ADD: PAP-B-67/1, Bhamboli-Varale Chakan MIDC Phase2,
Pune 410505
TEL: +0091 75230 85578
E-mail: sudhindra.sabnis@henglihydraulics.com

Hengli (Brazil)

ADD: Rua Bom Sucesso, 220 Corporativo 3001
Tatuape CEP 03305-000 São Paulo-SP
TEL: +55 1198383-3104
E-mail: racrosta@henglihydraulics.com



Official Website