

Parts Manual

M60V(E) Series

Bent-axial Piston Variable Displacement Motor

Contents

M60V(E) Series	
1.General Information	02
2.Functional Description	02
3.Product Parts	03
3.1 M60V(E)-28*	-
3.2 M60V(E)-60*	-
3.3 M60V(E)-85*	-
3.4 M60V(E)-115*	-
3.5 M60V(E)-160*	-
3.6 M60V(E)-170*	-
3.7 M60V(E)-200*	-
3.8 M60V(E)-215	03
3.9 M60V(E)-280*	-

Note: "*" indicates under production.

1 General information

This manual lists parts related information for the full range of M60V(E) bent-axial piston variable displacement motor. The main purpose of this manual is to better serve our customers by enabling them to quickly locate parts and find Hengli Genuine Parts.

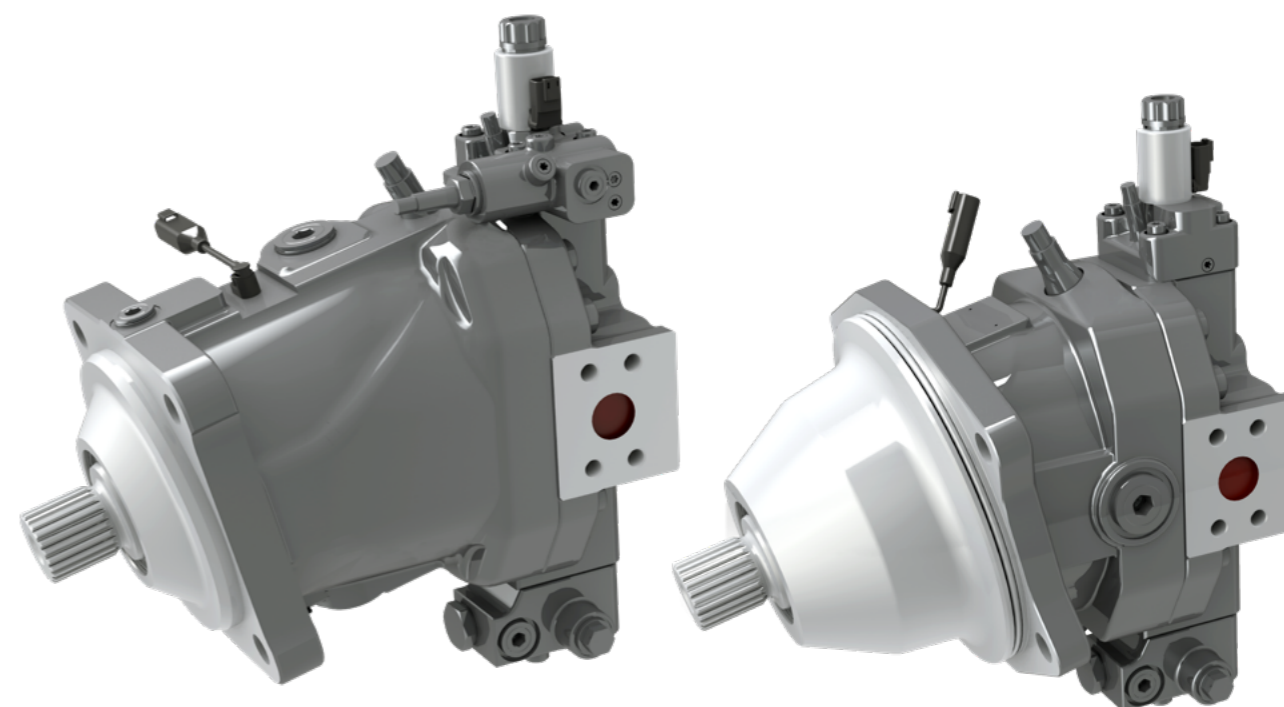
If you require more detailed information on parts, please contact
Jiangsu Hengli Hydraulic Co.,Ltd.
www.henglihydraulics.com
or consult with the relevant sales engineer.

2 Functional Description

- Based on the information on the nameplate attached to the motor, the basic configuration of the motor can be determined, e.g.: M60V215E6D1SAS4A2AF0E
For specific information, please refer to the Hengli catalogue selection to find the corresponding parts.
- With the nameplate information, you can quickly find information such as shaft, housing, bearing and other component material numbers in this manual.

3 M60V(E)215 Product Parts

3.8 M60V(E)215



M60V: Flange-type motor

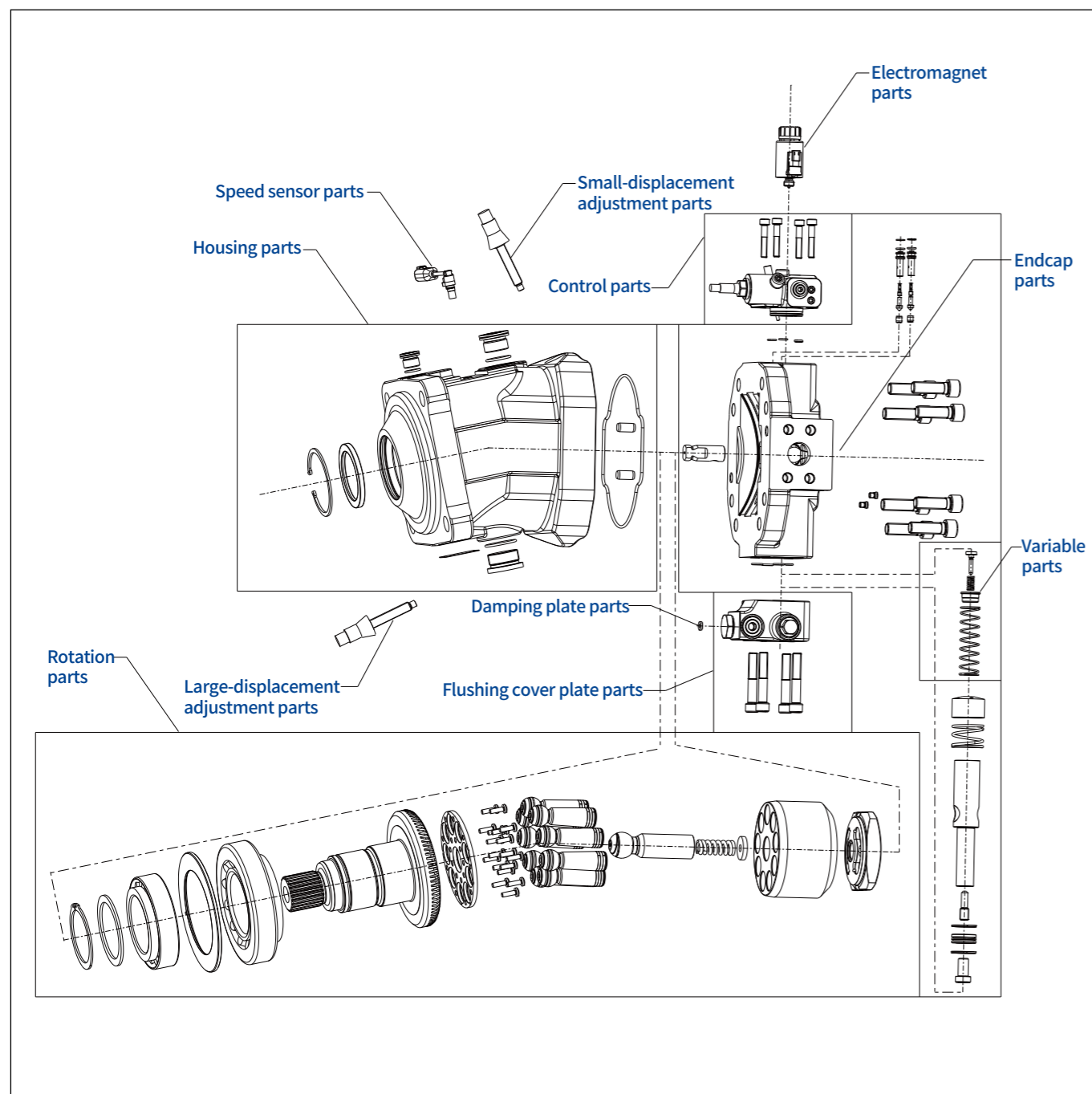
M60VE: Plug-in motor

M60V(E)-215

3.8 M60V(E)215

·Take E6 with electric proportional displacement control, negative characteristic 24V as an example

M60V(E)215 Integral Parts



3.8 M60V(E)215

M60V(E)215 Parts Catalogue

3.8.1 Control Valve Parts

Control and pressure control selection E100/E200/E500/E600/ET100/ET200/EW100/EW200	06-07
Control and pressure control selection E5D1/E6D1/EW1D1/EW2D1	08-09
Control and pressure control selection H5D2/H6D2/HWD2	10-11
Control and pressure control selection H5D1/H6D1/HWD1	12-13
Control and pressure control selection V100/V2T3	14-15

3.8.2 Speed Sensor Parts

Speed sensor selection N/A/M/P	16-17
--------------------------------	-------

3.8.3 Endcap Parts

Endcap oil port selection R/A	18-19
-------------------------------	-------

3.8.4 Housing Parts

Housing flange selection S4	20
Housing flange selection E4	21

3.8.5 Rotation Parts

Input shaft selection A2	22-23
Input shaft selection A3	24
Input shaft selection B4	25

3.8.6 Flushing Cover Plate Parts

Cover plate parts standard version selection N	26-27
Flushing valve parts special version selection (A-K)	28-29

3.8.7 Damping plate parts

Damping plate parts (A-K)	30-31
---------------------------	-------

3.8.8 Variable Parts

Variable parts	32-33
----------------	-------

3.8.9 Electromagnet Parts

Electromagnet parts (12V/24V)	34
-------------------------------	----

3.8.10 Small-displacement Adjustment Parts

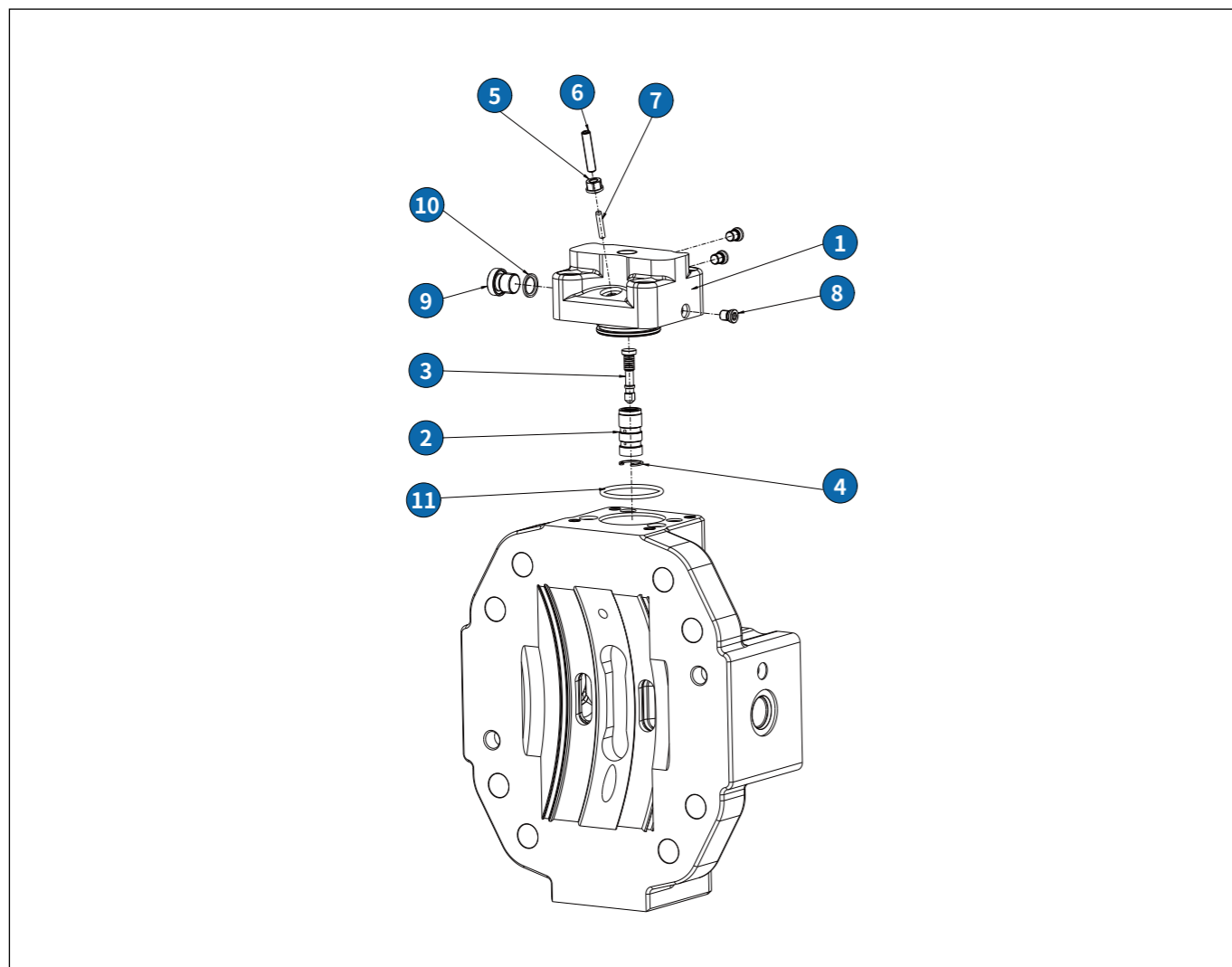
Small-displacement adjustment parts(displacement range 0-150)	35
---	----

3.8.11 Large-displacement Adjustment Parts

Large-displacement adjustment parts(displacement range 141-215.6)	36
---	----

3.8.1 M60V(E)215 Control Valve Parts

- Order code E100/E200/E500/E600: Electric proportional, without pressure control
- Order code ET100/ET200/EW100/EW200: Electric two-point control, without pressure control



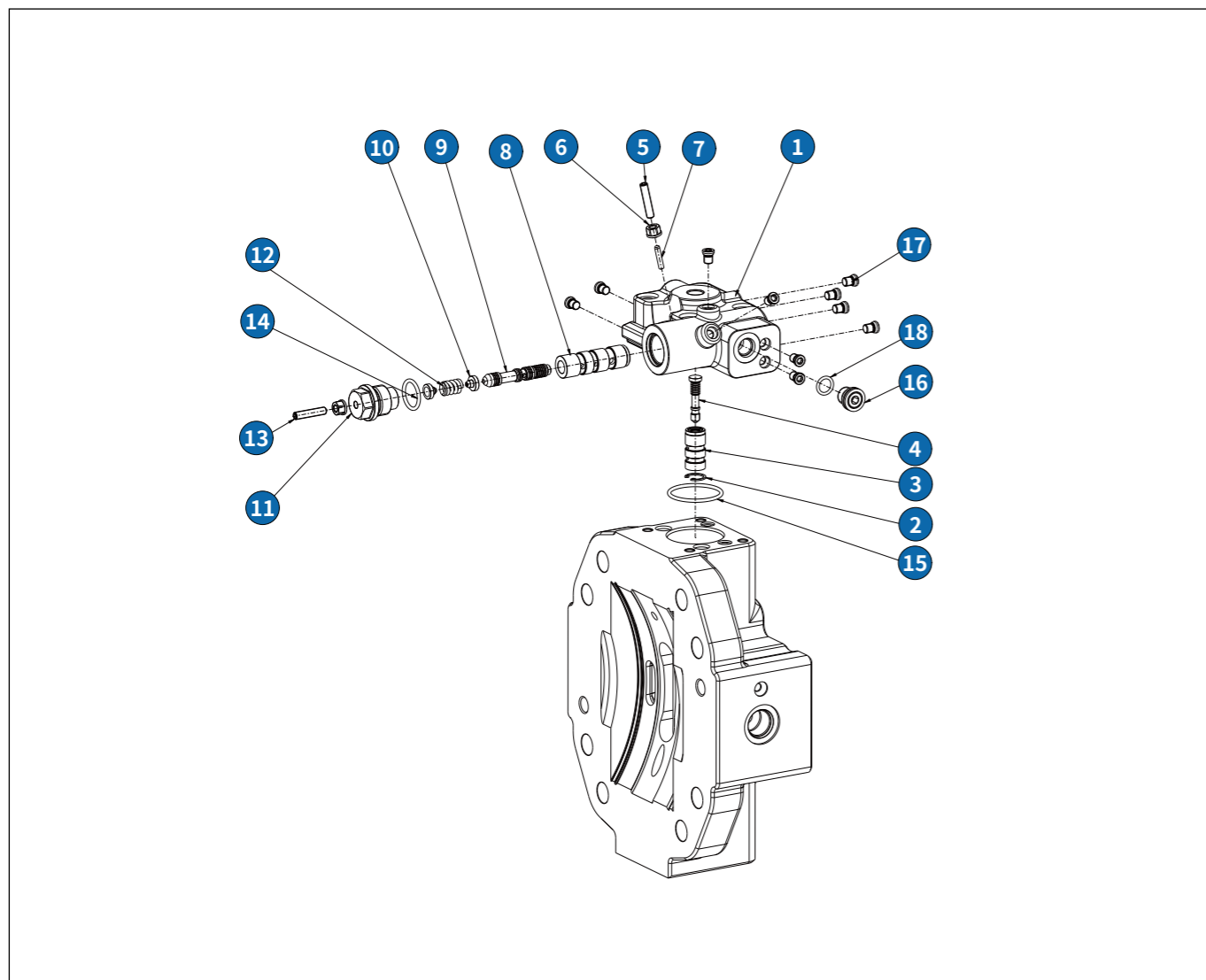
3.8.1 M60V(E)215 Control Valve Parts

Order code: E100/E200/E500/E600/ET100/ET200/EW100/EW200

Serial No.	Part Name	Specification	Order No.	QTY.per kit	Drawing No.
1	Valve body	HM6V115-021001-EP00-ED	210000655082	1	HM6V115-021001-EP00-ED
2	Valve sleeve	HM6V200-021102	210000354286	1	HM6V200-021102
3	Valve spool	M60V200-0611SPL-01	210000836161	1	M60V200-0611SPL-01
4	Circlip for C-Shaft	CE-IN 16	210000365984	1	JIS B 2804
5	Sealing lock nut	M6*1	210000292411	1	5310060230
6	Adjusting screw	M6*1*30	210000299574	1	HM6V200-021003
7	Push rod	HM6V200-021002	210000352382	1	HM6V200-021002
8	Plug	M7*0.75	210000292750	3	V30G205-000008
9	Plug	M14*1.5	210000294369	1	HLPV140I-020002
10	ED seal	φ11.6*φ16.5*1.5	110000038632	1	YG-20-06-020-001-A
11	O-ring	φ39.34*2.62	110000110019	1	2-129

3.8.1 M60V(E)215 Control Valve Parts

- Order code E5D1/E6D1: Electric proportional, negative polarity, 12V/24V, pressure cut-off
- Order code EW1D1/EW2D1: Electric two-point control, negative polarity, 12V/24V, pressure cut-off



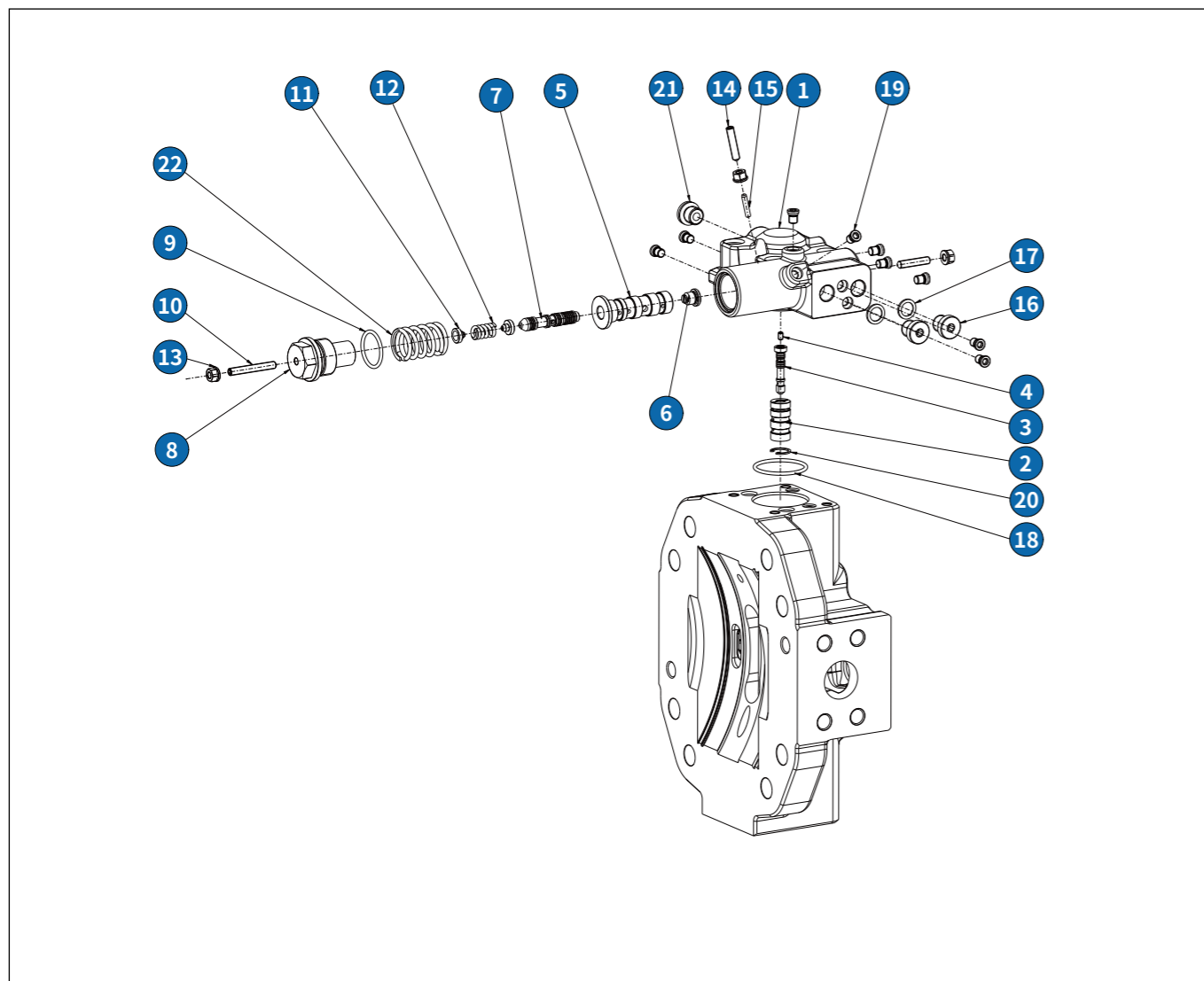
3.8.1 M60V(E)215 Control Valve Parts

Order code: E5D1/E6D1/EW1D1/EW2D1

Serial No.	Part Name	Specification	Order No.	QTY.per kit	Drawing No.
1	Valve body	HM6V200-021001	210000995709	1	HM6V200-021001
2	Circlip for C-Shaft	CE-IN 16	210000365984	1	JIS B 2804
3	Valve sleeve	HM6V200-021102	210000354286	1	HM6V200-021102
4	Valve spool	M60V200-0611SPL-01	210000836161	1	M60V200-0611SPL-01
5	Adjusting screw	M6*1*30	210000299574	1	HM6V200-021003
6	Sealing lock nut	M6*1	210000292411	2	5310060230
7	Push rod	HM6V200-021002	210000352382	1	HM6V200-021002
8	Valve sleeve	HM6V200-021202	210000354288	1	HM6V200-021202
9	Valve spool	HM6V200-021201	210000354289	1	HM6V200-021201
10	Spring seat	HM6V200-021006	210000302960	2	HM6V200-021006
11	Threaded insert	HM6V200-021004	210000301946	1	HM6V200-021004
12	Spring	9/2.5*19.3/4	210000292527	1	HM6V200-021005
13	Adjusting screw	M6*0.5*30	210000299588	1	HM6V200-021007
14	O-ring	φ20.29*2.62	110000055877	1	ORAR00117
15	O-ring	φ39.34*2.62	110000110019	1	2-129
16	Hexagon socket plug	M14*1.5	210000293377	1	ISO 6149-4
17	Plug	M7*0.75	210000292750	10	V30G205-000008
18	O-ring	φ11.3*2.2	110000051055	1	OR2201130

3.8.1 M60V(E)215 Control Valve Parts

- Order code H5D2/H6D2: Hydraulic proportional control, negative polarity, second pressure cut-off
- Order code HWD2: Hydraulic two-point control, negative polarity, second pressure cut-off



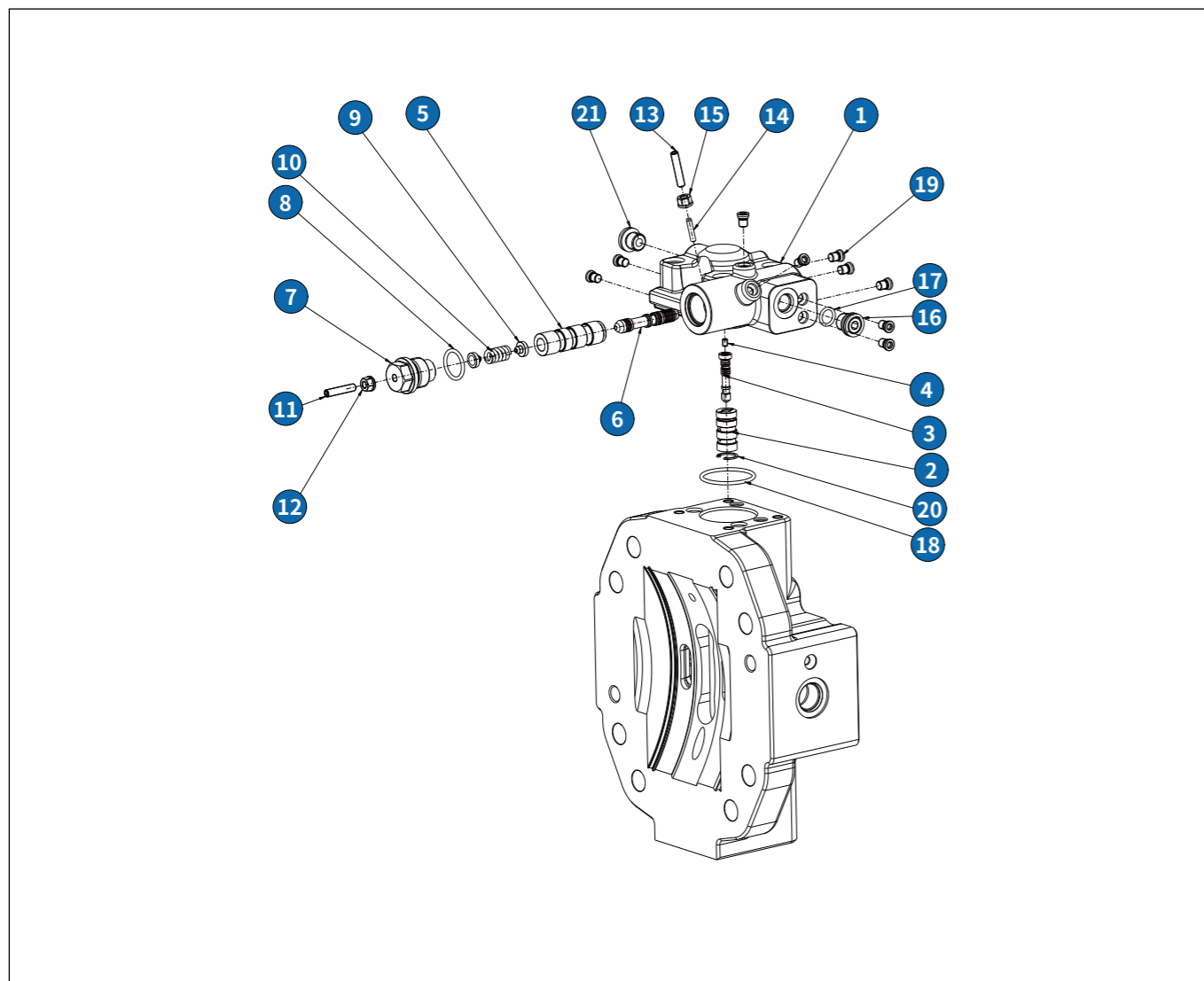
3.8.1 M60V(E)215 Control Valve Parts

Order code: H5D2/H6D2/HWD2

Serial No.	Part Name	Specification	Order No.	QTY.per kit	Drawing No.
1	Valve body	M60V160-0611VST	210001019761	1	M60V160-0611VST
2	Valve sleeve	HM6V85-021102	210000414131	1	HM6V85-021102
3	Valve spool	HM6V85-021101	210000414135	1	HM6V85-021101
4	Hexagon socket screw	M4*6	210000293307	1	JIS B 1177
5	Valve sleeve	M60V160-0611TUB-01	210001019764	1	M60V160-0611TUB-01
6	Valve seat	M60V160-0613001	210001020106	1	M60V160-0613001
7	Valve spool	M60V160-0611SPL-01	210001019760	1	M60V160-0611SPL-01
8	Threaded insert	M60V160-0611001-01	210001020147	1	M60V160-0611001-01
9	O-ring	φ26.64*2.62	110000114362	1	OR2-121-F5
10	Adjusting screw	M6*0.5*45	210001020148	1	M60V160-0611AJS
11	Spring seat	HM6V200-021006	210000302960	2	HM6V200-021006
12	Spring	9/2.5*19.3/4	210000292527	1	HM6V200-021005
13	Sealing lock nut	M6*0.5	210000365983	3	5310061230
14	Adjusting screw	M6*0.5*30	210000551324	2	HM6V200-021007-A
15	Push rod	HM6V200-021002	210000352382	1	HM6V200-021002
16	Plug	M14*1.5	210000294369	2	HLPV140I-020002
17	E-ring	G1/4A	210000293574	2	ISO 1179-2
18	O-ring	φ39.34*2.62	110000067785	1	OR2-129-F5
19	Plug	M7*0.75	210000292750	9	V30G205-000008
20	Circlip for C-Shaft	CE-IN 16	210000365984	1	JIS B 2804
21	Cross-head plug (with gasket)	M14*1.5	110000047135	1	DIN 3852-1
22	Spring	24.2/3.2*38/4	210001018320	1	M60V160-0611CSP-01

3.8.1 M60V(E)215 Control Valve Parts

- Order code H5D1/H6D1: Hydraulic proportional control, negative polarity, pressure cut-off
- Order code HWD1: Hydraulic two-point control, negative polarity, pressure cut-off



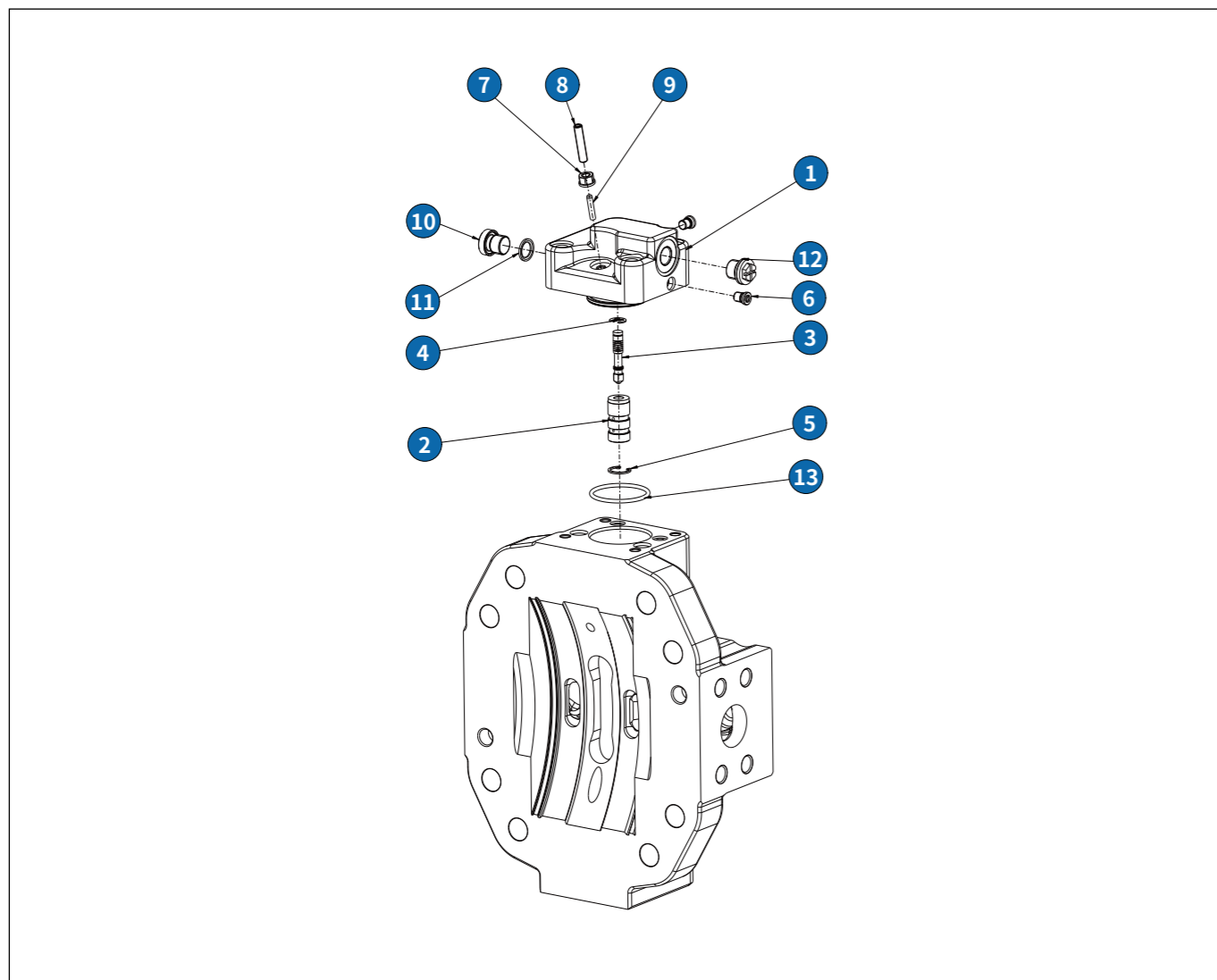
3.8.1 M60V(E)215 Control Valve Parts

Order code: H5D1/H6D1/HWD1

Serial No.	Part Name	Specification	Order No.	QTY.per kit	Drawing No.
1	Valve body	HM6V170-021001-HPD1	210000482231	1	HM6V170-021001-HPD1
2	Valve sleeve	HM6V85-021102	210000414131	1	HM6V85-021102
3	Valve spool	HM6V85-021101	210000414135	1	HM6V85-021101
4	Hexagon socket screw	M4*6	210000293307	1	JIS B 1177
5	Valve sleeve	HM6V200-021202	210000354288	1	HM6V200-021202
6	Valve spool	HM6V200-021201-HPD1	210000482258	1	HM6V200-021201-HPD1
7	Threaded insert	HM6V200-021004-A	210000586573	1	HM6V200-021004-A
8	O-ring	φ20.29*2.62	110000055877	1	ORAR00117
9	Spring seat	HM6V200-021006	210000302960	2	HM6V200-021006
10	Spring	9/2.5*19.3/4	210000292527	1	HM6V200-021005
11	Adjusting screw	M6*0.5*30	210000551324	1	HM6V200-021007-A
12	Sealing lock nut	M6*0.5	210000365983	1	5310061230
13	Adjusting screw	M6*1*30	210000299574	1	HM6V200-021003
14	Push rod	HM6V200-021002	210000352382	1	HM6V200-021002
15	Sealing lock nut	M6*1	210000292411	1	5310060230
16	Hexagon socket plug	M14*1.5	210000293377	1	ISO 6149-4
17	O-ring	φ11.3*2.2	110000051055	1	OR2201130
18	O-ring	φ39.34*2.62	110000110019	1	2-129
19	Plug	M7*0.75	210000292750	9	V30G205-000008
20	Circlip for C-Shaft	CE-IN 16	210000365984	1	JIS B 2804
21	Cross-head plug (with gasket)	M14*1.5	110000047135	1	DIN 3852-1

3.8.1 M60V(E)215 Control Valve Parts

- Order code V100: Hydraulic pressure automatic control, $\Delta P \leq$ approx, 10bar, without pressure control
- Order code V2T3: Hydraulic pressure automatic control, $\Delta P = 100$ bar, proportional remote pressure control



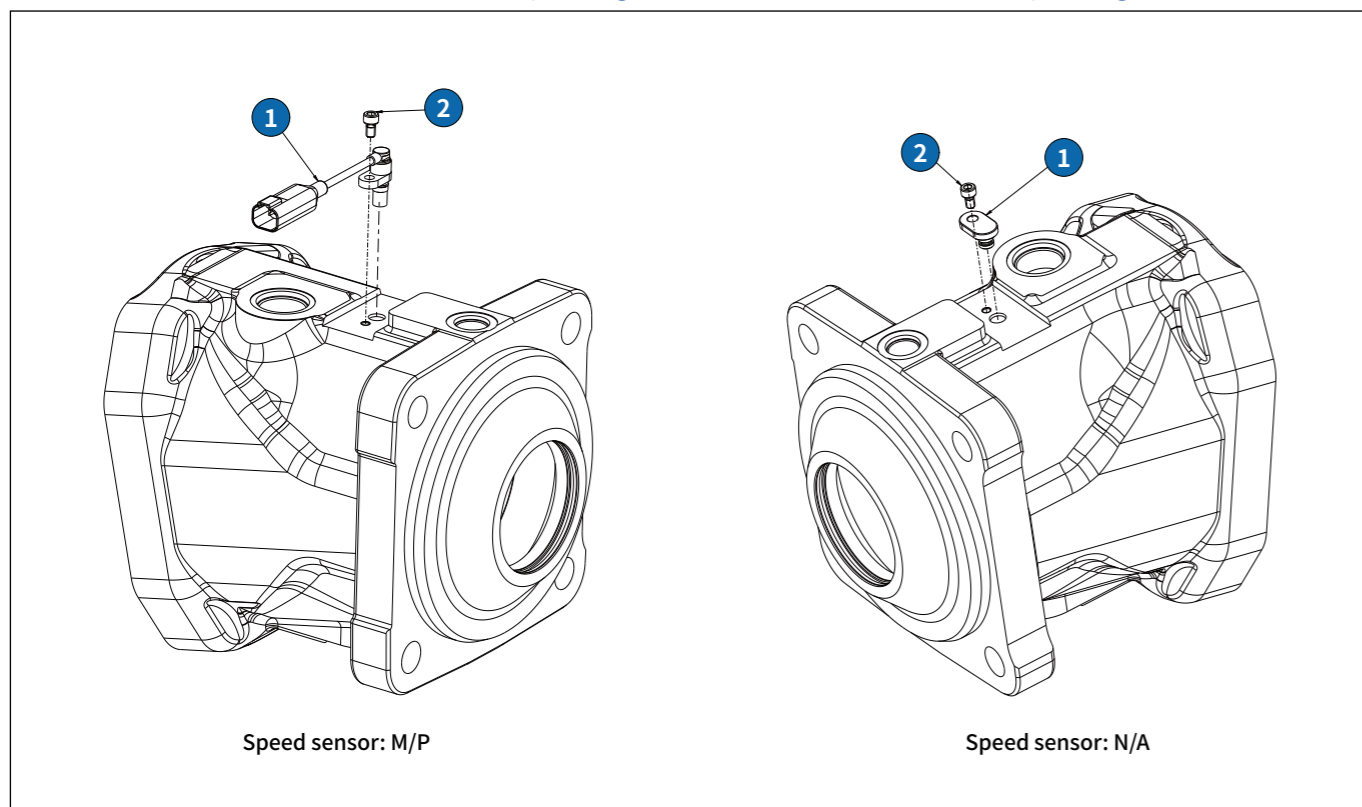
3.8.1 M60V(E)215 Control Valve Parts

Order code: V100/V2T3

Serial No.	Part Name	Specification	Order No.	QTY.per kit	Drawing No.
1	Valve body	M60V115-0611VST-03	210000804990	1	M60V115-0611VST-03
2	Valve sleeve	HM6V115-021102	210000443213	1	HM6V115-021102
3	Valve spool	HM6V115-021101	210000443212	1	HM6V115-021101
4	Retaining ring	$\phi 6$	210000438740	1	DIN6799
5	Circlip for C-Shaft	CE-IN 16	210000365984	1	JIS B 2804
6	Plug	M7*0.75	210000292750	2	V30G205-000008
7	Sealing lock nut	M6*1	210000292411	1	5310060230
8	Adjusting screw	M6*1*30	210000299574	1	HM6V200-021003
9	Push rod	HM6V200-021002	210000352382	1	HM6V200-021002
10	Plug	M14*1.5	210000294369	1	HLPV140I-020002
11	ED seal	$\phi 11.6 * \phi 16.5 * 1.5$	110000038632	1	YG-20-06-020-001-A
12	Cross-head plug (with gasket)	M14*1.5	110000047135	1	DIN 3852-1
13	O-ring	$\phi 39.34 * 2.62$	110000067992	1	OR2-129-N8

3.8.2 M60V(E)215 Speed Sensor Parts

- Order code N: Without speed sensor/ · Order code A: Installation of reserved speed sensor
- (With speed sensor) Order code M: supply voltage 4.5~8VDC/Order code P: supply voltage 8~32VDC



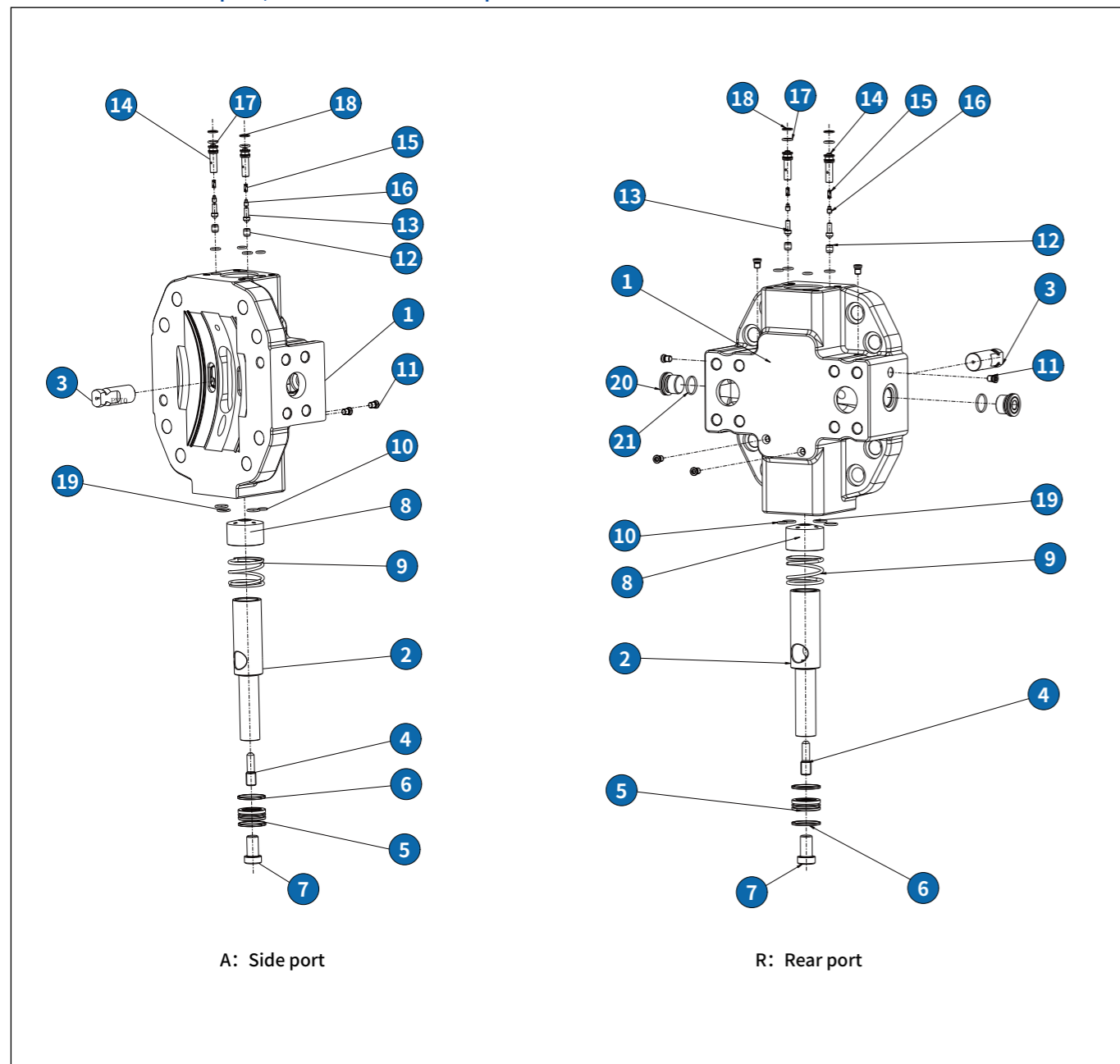
3.8.2 M60V(E)215 Speed Sensor Parts

Order code: N/A/M/P

Serial No.	Part Name	With or Without Sensors	Specification	Order No.	QTY.per kit	Drawing No.
1	Speed sensor	M	H168-G	210000541113	1	H168-G
		P	H1018FOA1.5DT04	210000504396	1	H1018FOA1.5DT04
		A/N: Cover plate	HM6V170-000006	210000497442	1	HM6V170-000006
2	Hexagon socket head cap screws	M/P/A/N	M6*10	210000206172	1	GB/T 70.1

3.8.3 M60V(E)215 Endcap Parts

· Order code A: Side port/ · Order code R: Rear port



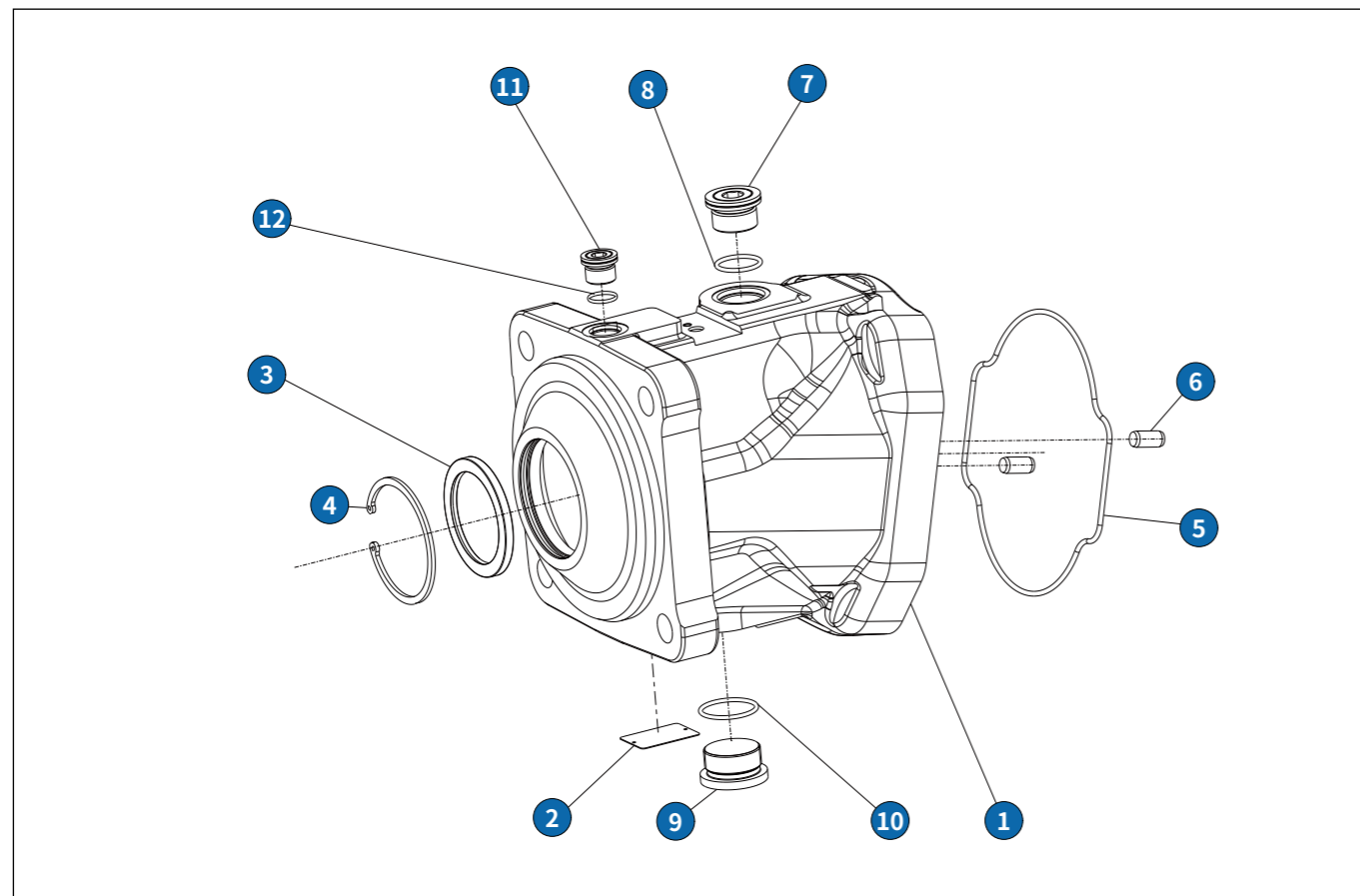
3.8.3 M60V(E)215 Endcap Parts

Order code: A/R

Serial No.	Part Name	Endcap Parts Type	Specification	Order No.	QTY.per kit	Drawing No.	
1	Endcap	R	HM6V215-020001	210000437202	1	HM6V215-020001	
		A	HM6V200B-020001	210000454146	1	HM6V200B-020001	
2	Piston	R/A	HM6V200-020003	210000298908	1	HM6V200-020003	
3	Lever		HM6V200-020002	210000409021	1	HM6V200-020002	
4	Set screw		φ12*40	210001066861	1	HM6V200-020004	
5	Piston seat		HM6V200-020005	210000354443	1	HM6V200-020005	
6	Piston seal ring		HM6V200-020006	210000292948	2	HM6V200-020006	
7	Hexagon socket flat head screw		M14*1.5-25	210001066813	1	DIN 6912	
8	Spring seat		HM6V200-02000D	210000352379	1	HM6V200-02000D	
9	Spring		41/3.2*100.5/6	210000292566	1	HM6V200-02000B	
10	O-ring		φ7.8*1.9	110000022876	3	P8	
11	Plug		M7*0.75	210000292750	6	V30G205-000008	
12	Valve seat		HM6V200-020007	210000280642	2	HM6V200-020007	
13	Check valve spool		HM6V200-020009	210000302781	2	HM6V200-020009	
14	Valve body		HM6V200-020008	210000352293	2	HM6V200-020008	
15	Throttle element		HM6V200-02000H	210000354660	2	HM6V200-02000H	
16	Throttle plug		HM6V200-02000G	210000295779	2	HM6V200-02000G	
17	O-ring		φ8.8*1.9	110000064001	4	P-9	
18	O-ring retaining ring		φ12*φ9*1.25	210000294697	2	P-9	
19	O-ring		φ12.3*1.9	110000001203	3	1012	
20	Hexagon socket plug		R	M22*1.5	210000293472	2	ISO 6149-4
21	O-ring		R	φ19.3*2.2	110000001209	2	YY-19-05-010-025-A

3.8.4 M60V215 Housing Parts

· Order code S4: 200-4 ISO 3019-2

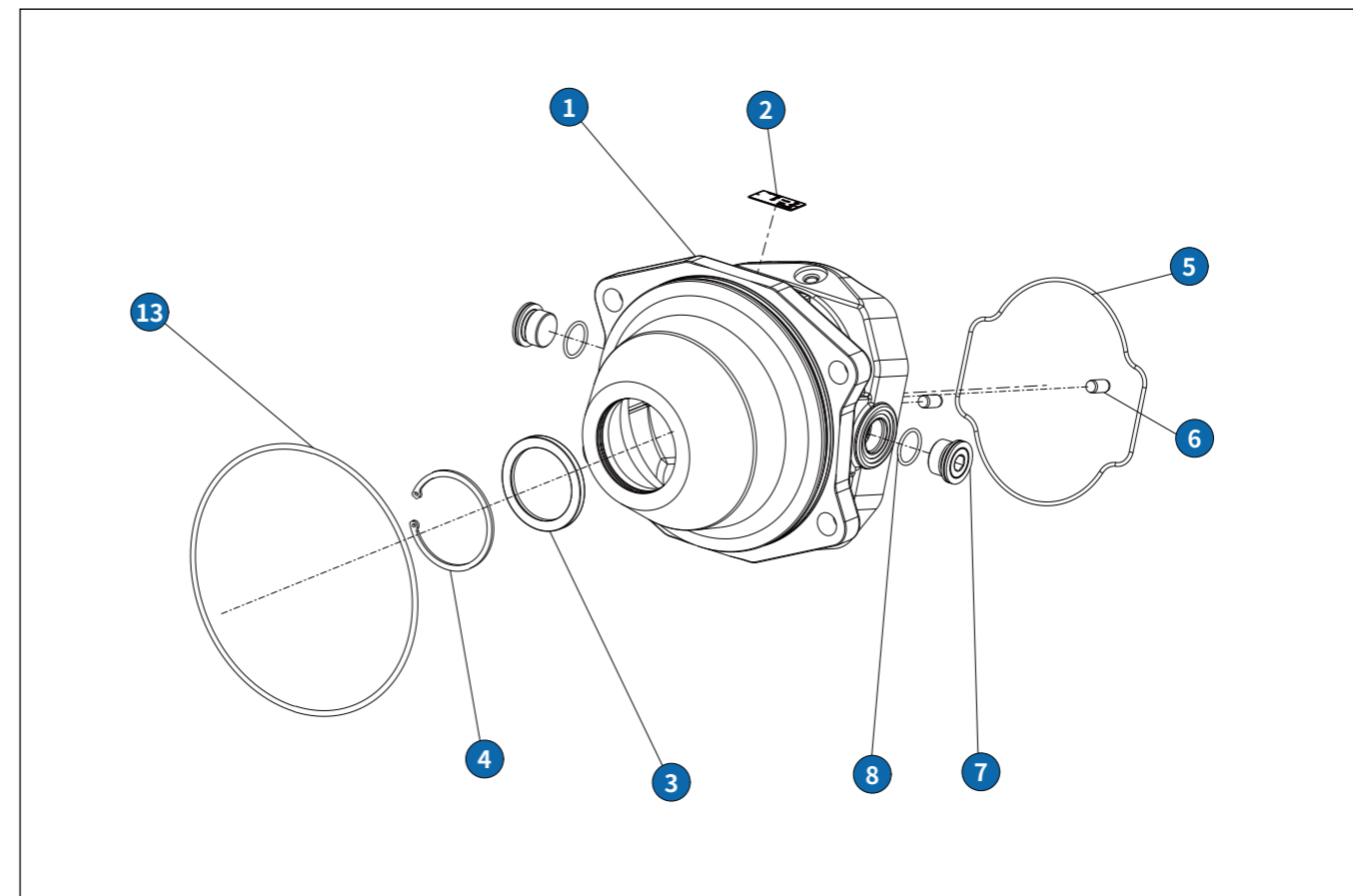


Order code: S4

Serial No.	Part Name	Specification	Order No.	QTY.per kit	Drawing No.
1	Valve body	HM6V215A-000001	210000458138	1	HM6V215A-000001
2	Label	50*35*0.6	210000816224	1	BP-AMKODOR
3	Shaft dust seal	TCVφ70*φ90*9/10.3	110000132908	1	yy-25-11-010-168-A
4	Circlip for C-Shaft	CE-IN 90	210000293318	1	JIS B 2804
5	Sealing ring	HM6V200-000002	110000053753	1	HM6V200-000002
6	Locating pin	HM6V200-000006	210000303604	2	HM6V200-000006
7	Hexagon socket plug	M33*2	210000294487	1	ISO 6149-4
8	O-ring	φ29.6*2.9	110000001222	1	R2902960
9	Hexagon socket plug	M42*2	210000366392	1	ISO 6149-4
10	O-ring	φ38.6*2.9	110000035031	1	OR29038600
11	Hexagon socket plug	M22*1.5	210000293472	1	ISO 6149-4
12	O-ring	φ19.3*2.2	110000001209	1	YY-19-05-010-025-A

3.8.4 M60VE215 Housing Parts

· Order code E4: 260-4 ISO 3019-2

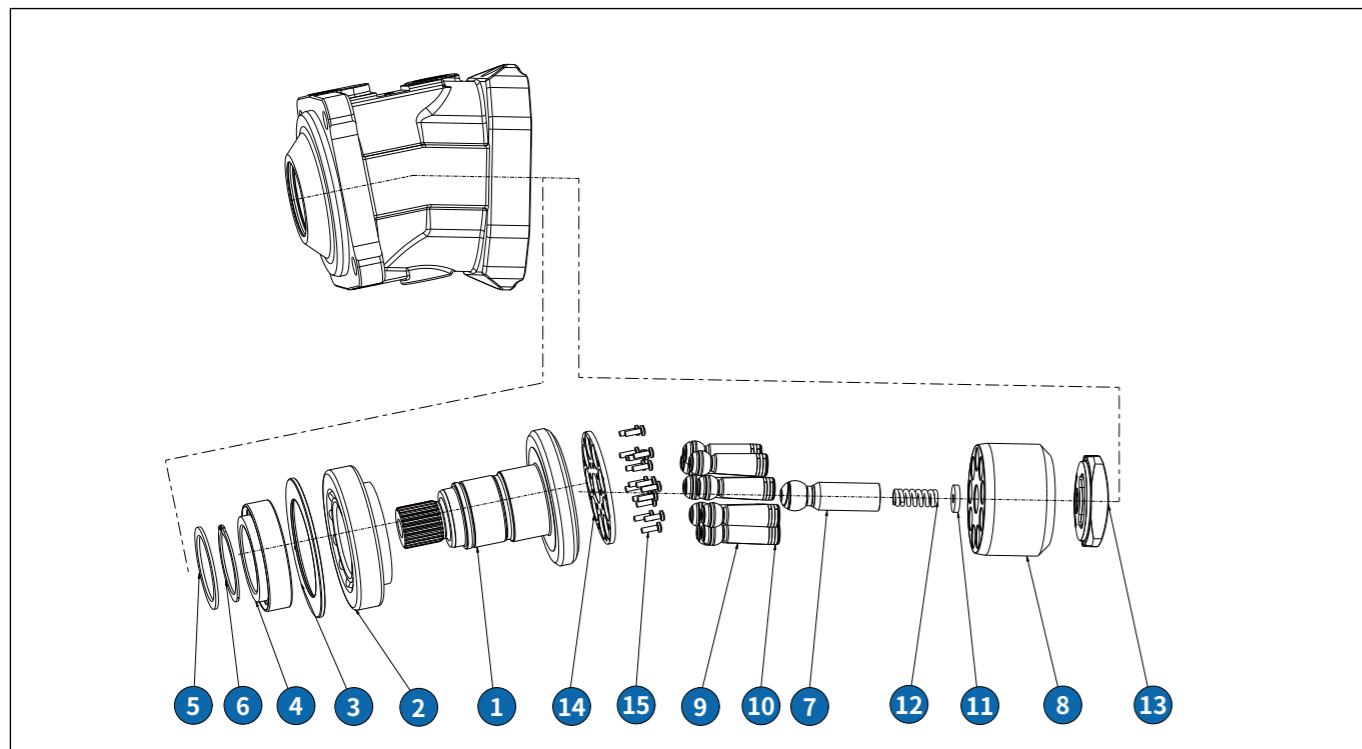


Order code: E4

Serial No.	Part Name	Specification	Order No.	QTY.per kit	Drawing No.
1	Valve body	HME6V215-000001	210000485323	1	HME6V215-000001
2	Label	50*25*0.6	210000293739	1	BP-XG2018
3	Shaft dust seal	TCVφ70*φ90*9/10.3	110000132908	1	yy-25-11-010-168-A
4	Circlip for C-Shaft	CE-IN 90	210000293318	1	JIS B 2804
5	Sealing ring	HM6V200-000002	110000053753	1	HM6V200-000002
6	Locating pin	HM6V200-000006	210000303604	2	HM6V200-000006
7	Hexagon socket plug	M33*2	210000294487	2	ISO 6149-4
8	O-ring	φ29.6*2.9	110000001222	2	R2902960
9	O-ring	φ250*5	110000064215	1	OR5002500-F5

3.8.5 M60V(E)215 Rotation Parts

· Order code shaft A2: W50×2×24×9g DIN 5480; Speed sensor N

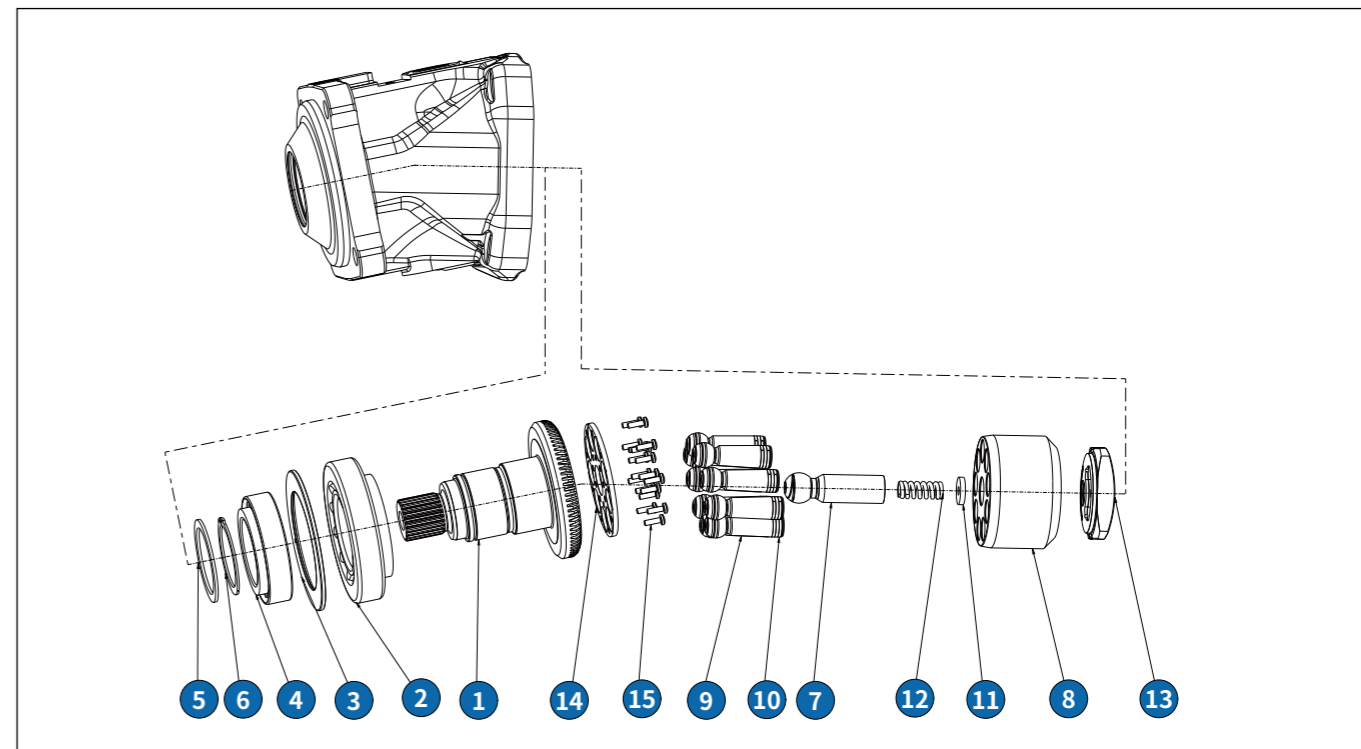


Order code: Shaft A2, speed sensor N

Serial No.	Part Name	Specification	Order No.	QTY.per kit	Drawing No.
1	Shaft	M60V215-0110DSF-D50	210000824946	1	M60V215-0110DSF-D50
2	Tapered roller bearings	φ85*φ170*48	210000365906	1	T7FC085
3	Gasket	φ168.6*129*4.9	210000303562	1	HM6V200-011002
4	Tapered roller bearings	φ80*φ130*37	210000365905	1	33116
5	Gasket	φ99.5*φ80.2*3.5	210000352380	1	HM6V200-011003
6	Circlip for C-Shaft	CE-EX 80	210000365982	1	JIS B 2804
7	Centre rod	HM6V215-010004	210000350619	1	HM6V215-010004
8	Cylinder block	HM6V215-010001	210000429296	1	HM6V215-010001
9	Piston	HM6V215-012001	210000350610	9	HM6V215-012001
10	Sealing ring	HM6V215-012002	210000350614	18	HM6V215-012002
11	Gasket	φ32.4*φ10*5.8	210000365008	1	HM6V215-010003
12	Springs	16.2/4.5*60.5/8	210000350616	1	HM6V215-010002
13	Valve plate	HM6V215-010006-B	210000697601	1	HM6V215-010006-B
14	Pressure plate	HM6V215-010005	210000456855	1	HM6V215-010005
15	Slotted pan-head screws	M6*20	210001066862	18	ISO 14583

3.8.5 M60V(E)215 Rotation Parts

· Order code shaft A2: W50×2×24×9g DIN 5480; Speed sensor M/P/A

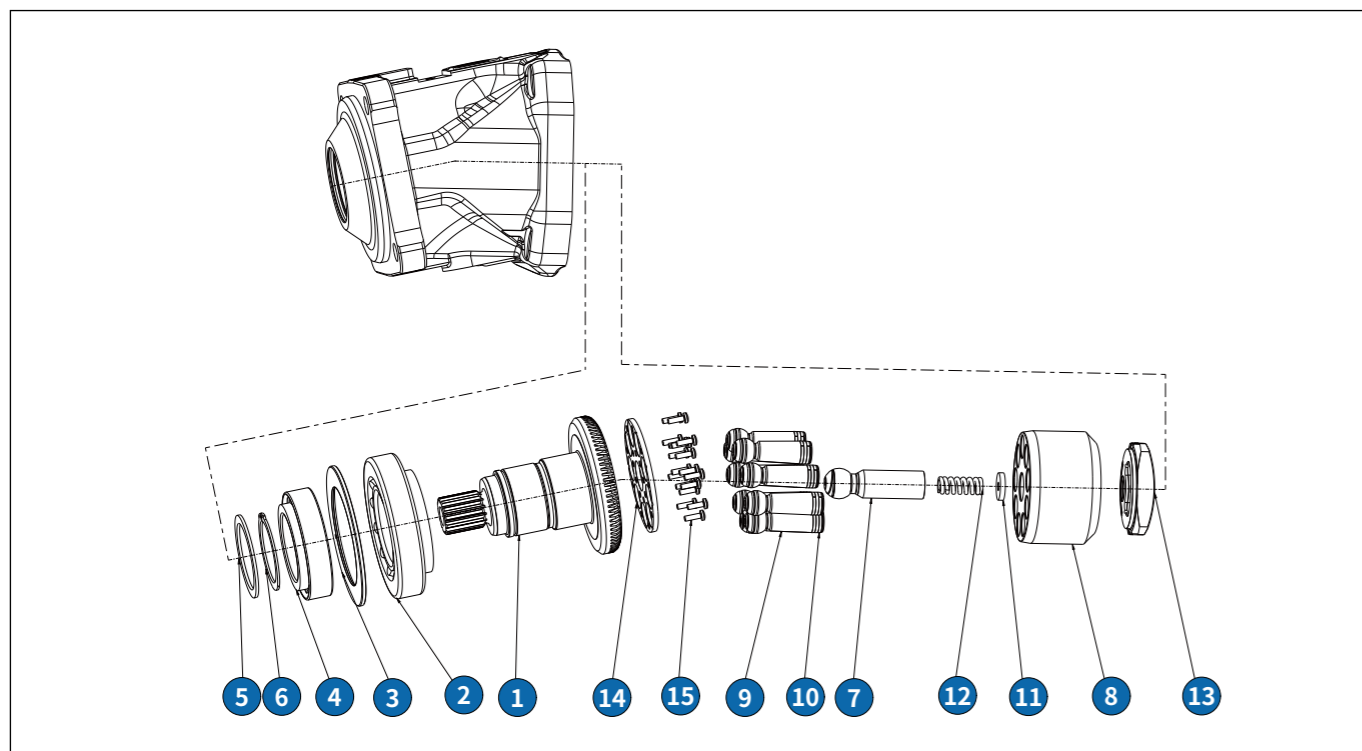


Order code: Shaft A2, speed sensor M/P/A

Serial No.	Part Name	Specification	Order No.	QTY.per kit	Drawing No.
1	Shaft	HM6V215-011001	210000350618	1	HM6V215-011001
2	Tapered roller bearings	φ85*φ170*48	210000365906	1	T7FC085
3	Gasket	φ168.6*129*4.9	210000303562	1	HM6V200-011002
4	Tapered roller bearings	φ80*φ130*37	210000365905	1	33116
5	Gasket	φ99.5*φ80.2*3.5	210000352380	1	HM6V200-011003
6	Circlip for C-Shaft	CE-EX 80	210000365982	1	JIS B 2804
7	Centre rod	HM6V215-010004	210000350619	1	HM6V215-010004
8	Cylinder block	HM6V215-010001	210000429296	1	HM6V215-010001
9	Piston	HM6V215-012001	210000350610	9	HM6V215-012001
10	Sealing ring	HM6V215-012002	210000350614	18	HM6V215-012002
11	Gasket	φ32.4*φ10*5.8	210000365008	1	HM6V215-010003
12	Springs	16.2/4.5*60.5/8	210000350616	1	HM6V215-010002
13	Valve plate	HM6V215-010006-B	210000697601	1	HM6V215-010006-B
14	Pressure plate	HM6V215-010005	210000456855	1	HM6V215-010005
15	Slotted pan-head screws	M6*20	210001066862	18	ISO 14583

3.8.5 M60V(E)215 Rotation Parts

· Order code shaft A3: 13T-8/16 ANSI B92.1; Speed sensor M/P/A

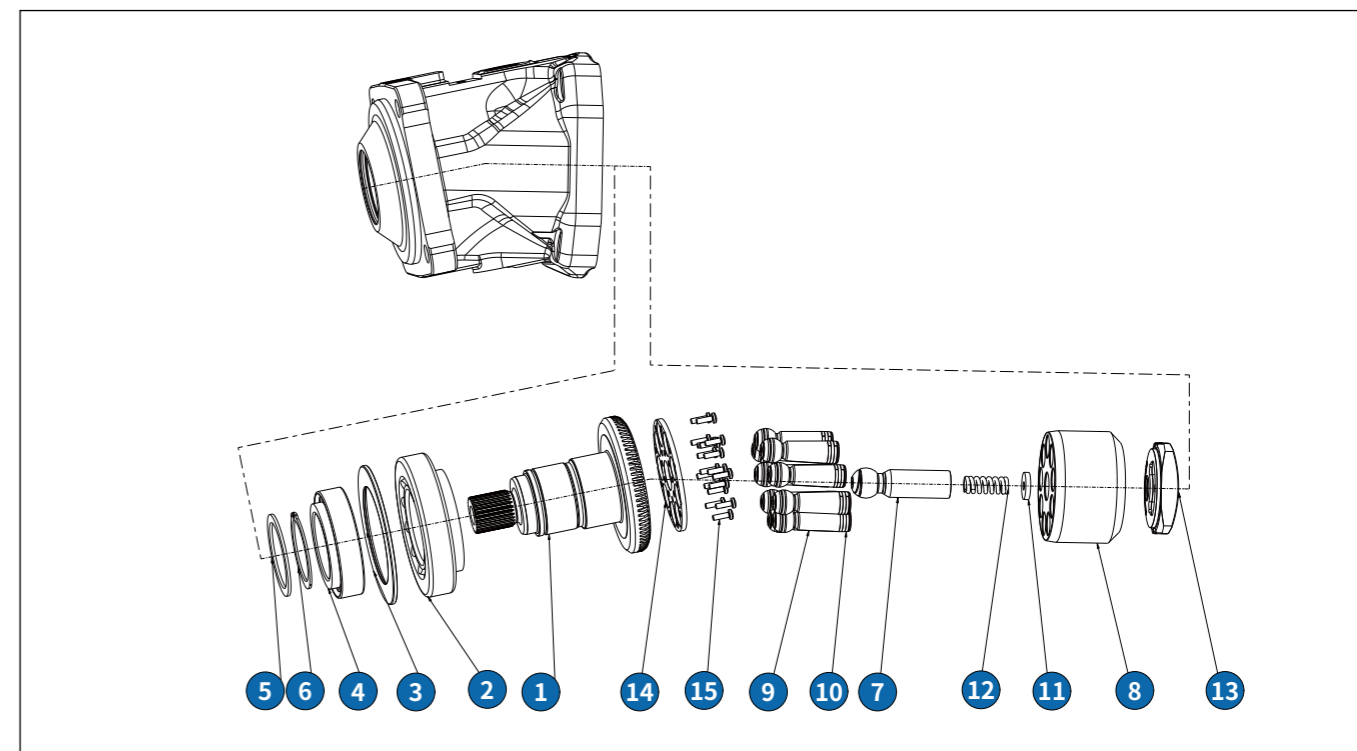


Order code: Shaft A3, speed sensor M/P/A

Serial No.	Part Name	Specification	Order No.	QTY.per kit	Drawing No.
1	Shaft	HM6V215-011001-13T	210000687327	1	HM6V215-011001-13T
2	Tapered roller bearings	φ85*φ170*48	210000365906	1	T7FC085
3	Gasket	φ168.6*129*4.9	210000303562	1	HM6V200-011002
4	Tapered roller bearings	φ80*φ130*37	210000365905	1	33116
5	Gasket	φ99.5*φ80.2*3.5	210000352380	1	HM6V200-011003
6	Circlip for C-Shaft	CE-EX 80	210000365982	1	JIS B 2804
7	Centre rod	HM6V215-010004	210000350619	1	HM6V215-010004
8	Cylinder block	HM6V215-010001	210000429296	1	HM6V215-010001
9	Piston	HM6V215-012001	210000350610	9	HM6V215-012001
10	Sealing ring	HM6V215-012002	210000350614	18	HM6V215-012002
11	Gasket	φ32.4*φ10*5.8	210000365008	1	HM6V215-010003
12	Springs	16.2/4.5*60.5/8	210000350616	1	HM6V215-010002
13	Valve plate	HM6V215-010006-B	210000697601	1	HM6V215-010006-B
14	Pressure plate	HM6V215-010005	210000456855	1	HM6V215-010005
15	Slotted pan-head screws	M6*20	210001066862	18	ISO 14583

3.8.5 M60V(E)215 Rotation Parts

· Order code shaft B4: 27T-16/32 ANSI B92.1; Speed sensor M/P/A

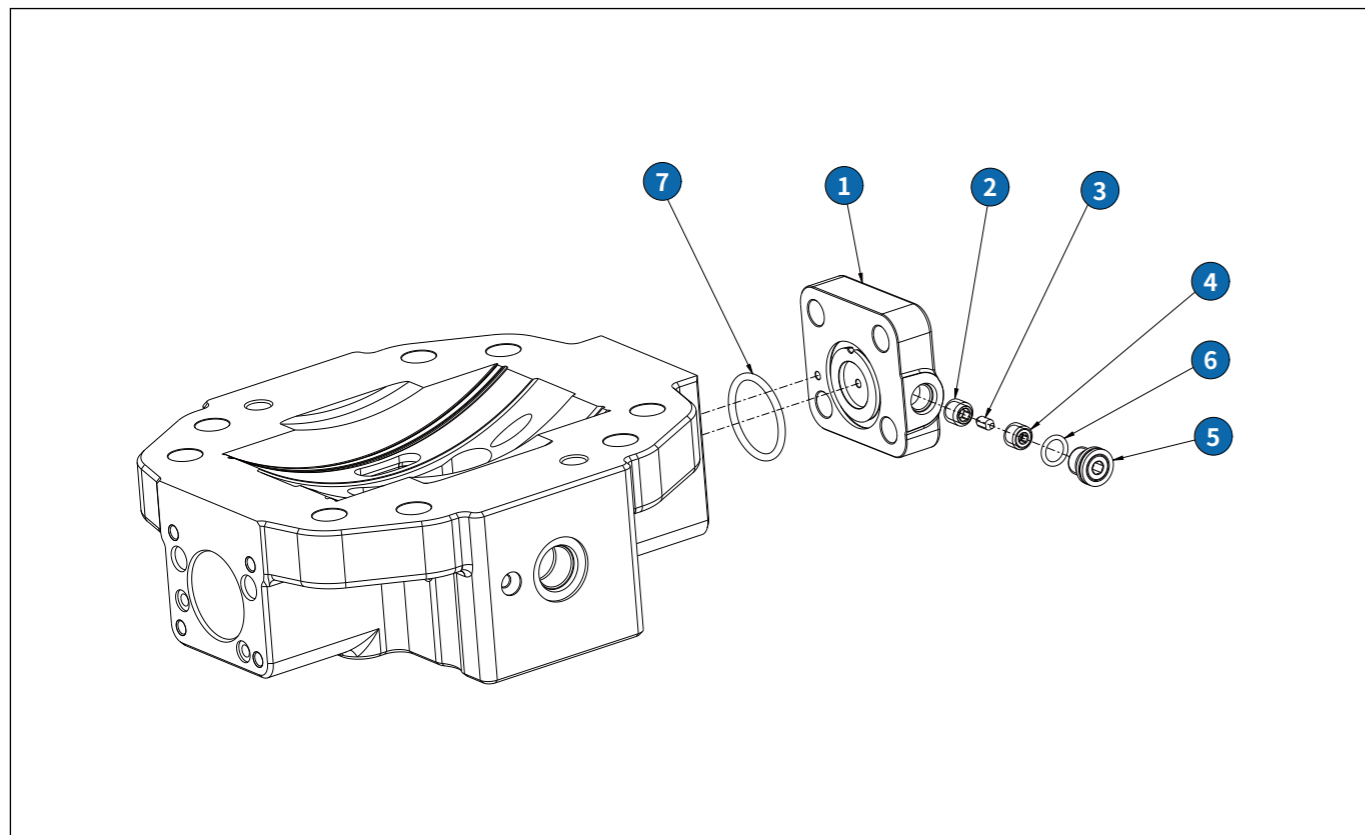


Order code: Shaft B4, speed sensor M/P/A

Serial No.	Part Name	Specification	Order No.	QTY.per kit	Drawing No.
1	Shaft	HM6V215A-011001	210000547547	1	HM6V215A-011001
2	Tapered roller bearings	φ85*φ170*48	210000365906	1	T7FC085
3	Gasket	φ168.6*129*4.9	210000303562	1	HM6V200-011002
4	Tapered roller bearings	φ80*φ130*37	210000365905	1	33116
5	Gasket	φ99.5*φ80.2*3.5	210000352380	1	HM6V200-011003
6	Circlip for C-Shaft	CE-EX 80	210000365982	1	JIS B 2804
7	Centre rod	HM6V215-010004	210000350619	1	HM6V215-010004
8	Cylinder block	HM6V215-010001	210000429296	1	HM6V215-010001
9	Piston	HM6V215-012001	210000350610	9	HM6V215-012001
10	Sealing ring	HM6V215-012002	210000350614	18	HM6V215-012002
11	Gasket	φ32.4*φ10*5.8	210000365008	1	HM6V215-010003
12	Springs	16.2/4.5*60.5/8	210000350616	1	HM6V215-010002
13	Valve plate	HM6V215-010006-B	210000697601	1	HM6V215-010006-B
14	Pressure plate	HM6V215-010005	210000456855	1	HM6V215-010005
15	Slotted pan-head screws	M6*20	210001066862	18	ISO 14583

3.8.6 M60V(E)215 Flushing Cover Plate Parts

· Cover plate parts standard version order code N: Without flushing valve



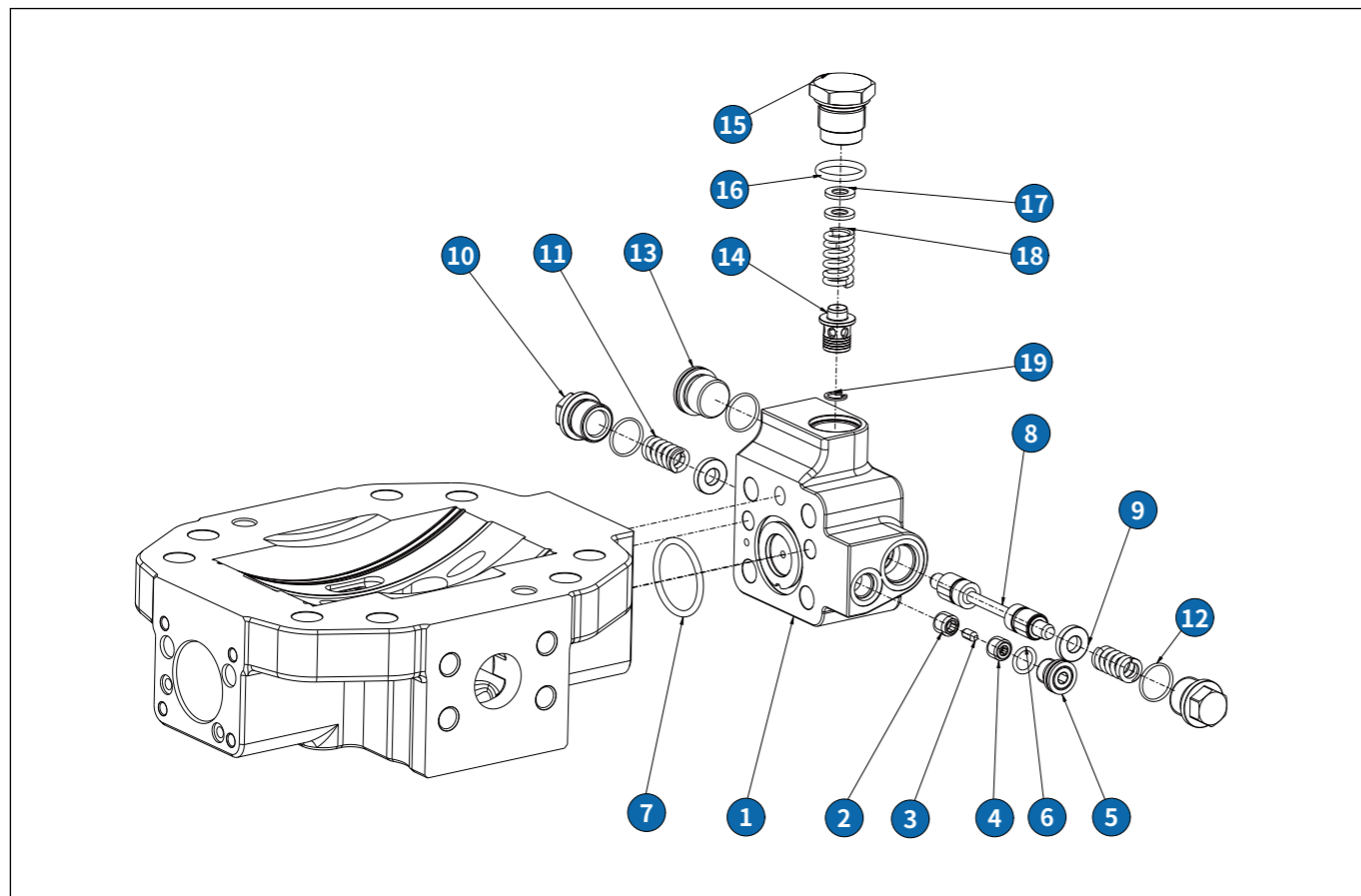
3.8.6 M60V(E)215 Flushing Cover Plate Parts

Standard version order code: N

Serial No.	Part Name	Specification	Order No.	QTY.per kit	Drawing No.
1	Cover plate	HM6V200-022001	210000293009	1	HM6V200-022001
2	Valve body	HM6V200-022002	210000906977	1	HM6V200-022002
3	Valve spool	HM6V200-022003	210000352373	1	HM6V200-022003
4	Valve seat	HM6V200-022004	210000906978	1	HM6V200-022004
5	Hexagon socket plug	M14*1.5	210000293377	1	ISO 6149-4
6	O-ring	φ11.3*2.2	110000051055	1	OR2201130
7	O-ring	φ37.7*3.5	110000001229	1	P-38

3.8.6 M60V(E)215 Flushing Cover Plate Parts

· Flushing valve parts special version order code A-K: With flushing valve



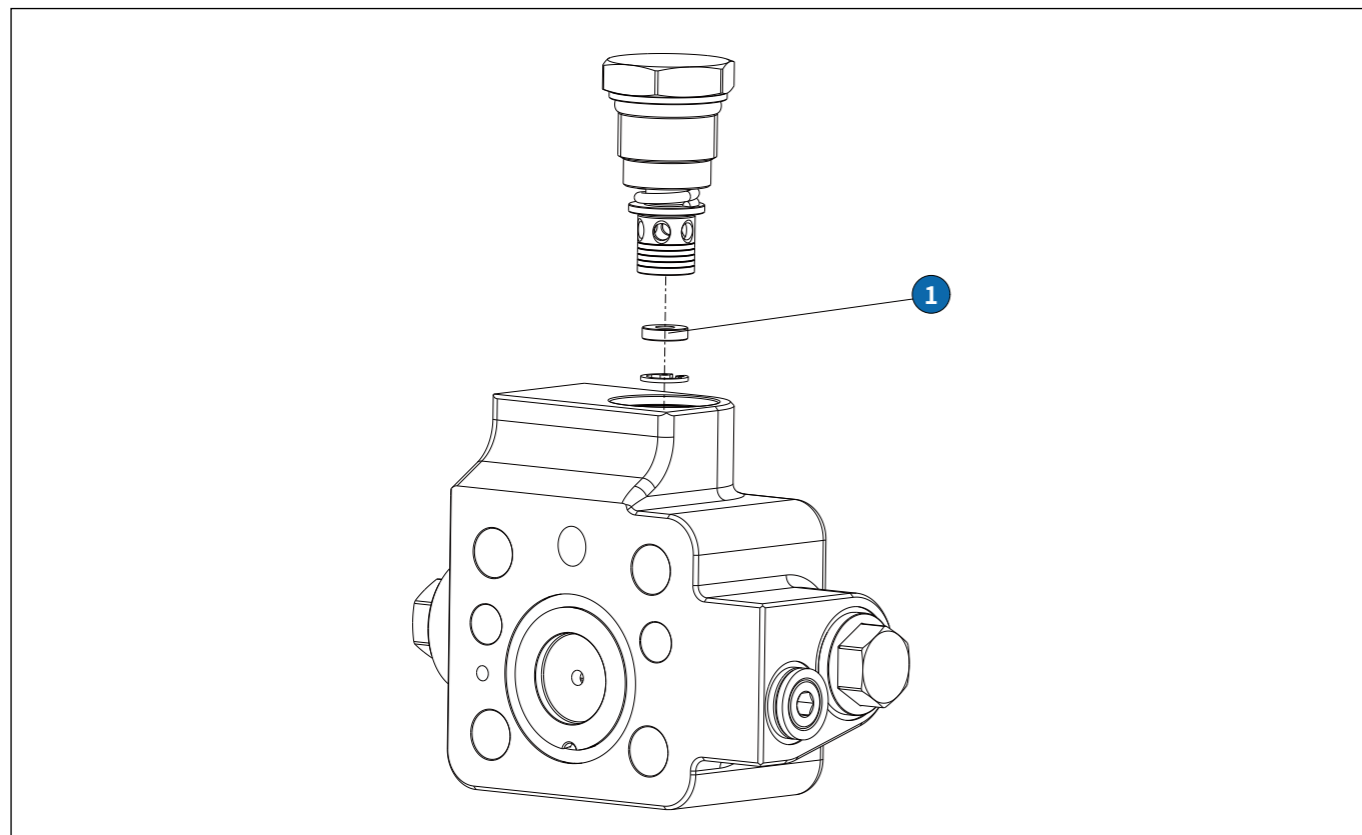
3.8.6 M60V(E)215 Flushing Cover Plate Parts

Special version order code: A-K

Serial No.	Part Name	Specification	Order No.	QTY.per kit	Drawing No.
1	Valve body	HM6V170-022001	210000398190	1	HM6V170-022001
2	Valve body	HM6V200-022002	210000906977	1	HM6V200-022002
3	Valve spool	HM6V200-022003	210000352373	1	HM6V200-022003
4	Valve seat	HM6V200-022004	210000906978	1	HM6V200-022004
5	Hexagon socket plug	M14*1.5	210000293377	1	ISO 6149-4
6	O-ring	φ11.3*2.2	110000051055	1	OR2201130
7	O-ring	φ37.7*3.5	110000001229	1	P-38
8	Valve spool	HM6V170-022002	210000398922	1	HM6V170-022002
9	Gasket	φ20*φ9.5*3.9	210000398253	2	HM6V170-022005
10	Threaded insert	HM6V170-022003	210000398252	2	HM6V170-022003
11	Spring	11.7/2.5*29.3/5	210000398178	2	HM6V170-022004
12	O-ring	φ19.3*2.2	110000001209	3	YY-19-05-010-025-A
13	Hexagon socket plug	M22*1.5	210000293472	1	ISO 6149-4
14	Valve spool	HM6V170-022009	210000398174	1	HM6V170-022009
15	Threaded insert	HM6V170-022006	210000398250	1	HM6V170-022006
16	O-ring	φ23.47*2.62	110000082542	1	2-119
17	Gasket	φ16.5*φ8.2*2	210000398255	2	HM6V170-022007
18	Spring	14.4/2.7*35.5/5.5	210000398179	1	HM6V170-022008
19	Circlip for C-Shaft	CE-IN 12	210000396711	1	JIS B 2804

3.8.7 M60V(E)215 Damping Plate Parts

Order code: Damping plate parts are not subject to selection



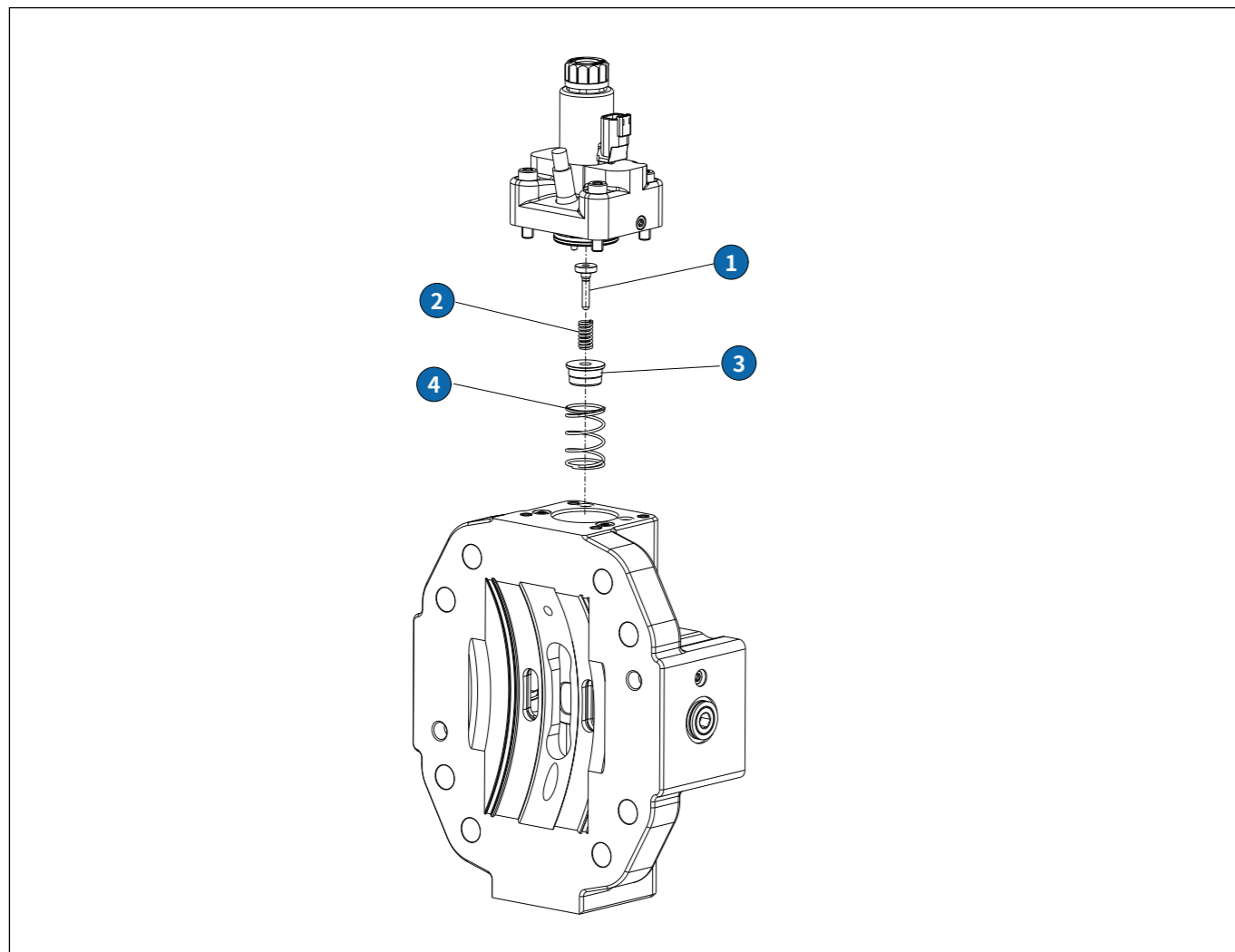
3.8.7 M60V(E)215 Damping Plate Parts

Order code: Damping plate parts are not subject to selection

Serial No.	Part Name	Specification	Order No.	QTY.per kit	Drawing No.	
1	Damping plate	Flushing flow rate 3.5 A	HM6V60-02200A-1.2-3.5	210000535080	1	HM6V60-02200A-1.2-3.5
		Flushing flow rate 5 B	HM6V60-02200A-1.2-5L	210000662900	1	HM6V60-02200A-1.2-5L
		Flushing flow rate 8 C	HM6V60-02200A-1.8-8	210000684310	1	HM6V60-02200A-1.8-8
		Flushing flow rate 10 D	HM6V170-02200A	210000398249	1	HM6V170-02200A
		Flushing flow rate 14 E	HM6V170-02200A-2.2	210000643110	1	HM6V170-02200A-2.2
		Flushing flow rate 17 F	HM6V170-02200A-2.5-17	210000458778	1	HM6V170-02200A-2.5-17
		Flushing flow rate 20 G	HM6V170-02200A-2.8-20	210000458783	1	HM6V170-02200A-2.8-20
		Flushing flow rate 25 H	HM6V170-02200A-3.1-25	210000458784	1	HM6V170-02200A-3.1-25
		Flushing flow rate 30 M	HM6V170-02200A-3.5-30	210000458782	1	HM6V170-02200A-3.5-30
		Flushing flow rate 35 J	HM6V170-02200A-3.9	210000557961	1	HM6V170-02200A-3.9
		Flushing flow rate 40 K	HM6V170-02200A-5-40	210000458779	1	HM6V170-02200A-5-40

3.8.8 M60V(E)215 Variable Parts

Order code: Variable parts are not subject to selection



Order code: Variable parts are not subject to selection

Variable Parts—E1、E2、E5、E6 Control Mode					
Serial No.	Part Name	Specification	Order No.	QTY.per kit	Drawing No.
1	Spring seat	HM6V200-02000F	210000303579	1	HM6V200-02000F
2	Spring	8.6/1.4*19/6.5	210000293579	1	HM6V200-02000E
3	Spring seat	HM6V200-02000C	210000352381	1	HM6V200-02000C
4	Spring	25.7/1.7*94.5/7.7	210000294230	1	HM6V200-02000A

3.8.8 M60V(E)215 Variable Parts

Order code: Variable parts are not subject to selection

Variable Parts—H1/H5 Control Mode					
Serial No.	Part Name	Specification	Order No.	QTY.per kit	Drawing No.
1	Spring seat	HM6V200-02000F	210000303579	1	HM6V200-02000F
2	Spring	8.3/1.6*19.2/5	210000481010	1	HM6V170-02000E-HP
3	Spring seat	HM6V200-02000C	210000352381	1	HM6V200-02000C
4	Spring	25.7/1.7*94.5/7.7	210000294230	1	HM6V200-02000A

Variable Parts—H2/H6 Control Mode					
Serial No.	Part Name	Specification	Order No.	QTY.per kit	Drawing No.
1	Spring seat	HM6V200-02000F	210000303579	1	HM6V200-02000F
2	Spring	8.3/1.6*19.2/5	210000481010	1	HM6V170-02000E-HP
3	Spring seat	HM6V170-020007	210000398248	1	HM6V170-020007
4	Spring	23.8/2*90.3/6.88	210000626156	1	HM6V170-02000A-HP6

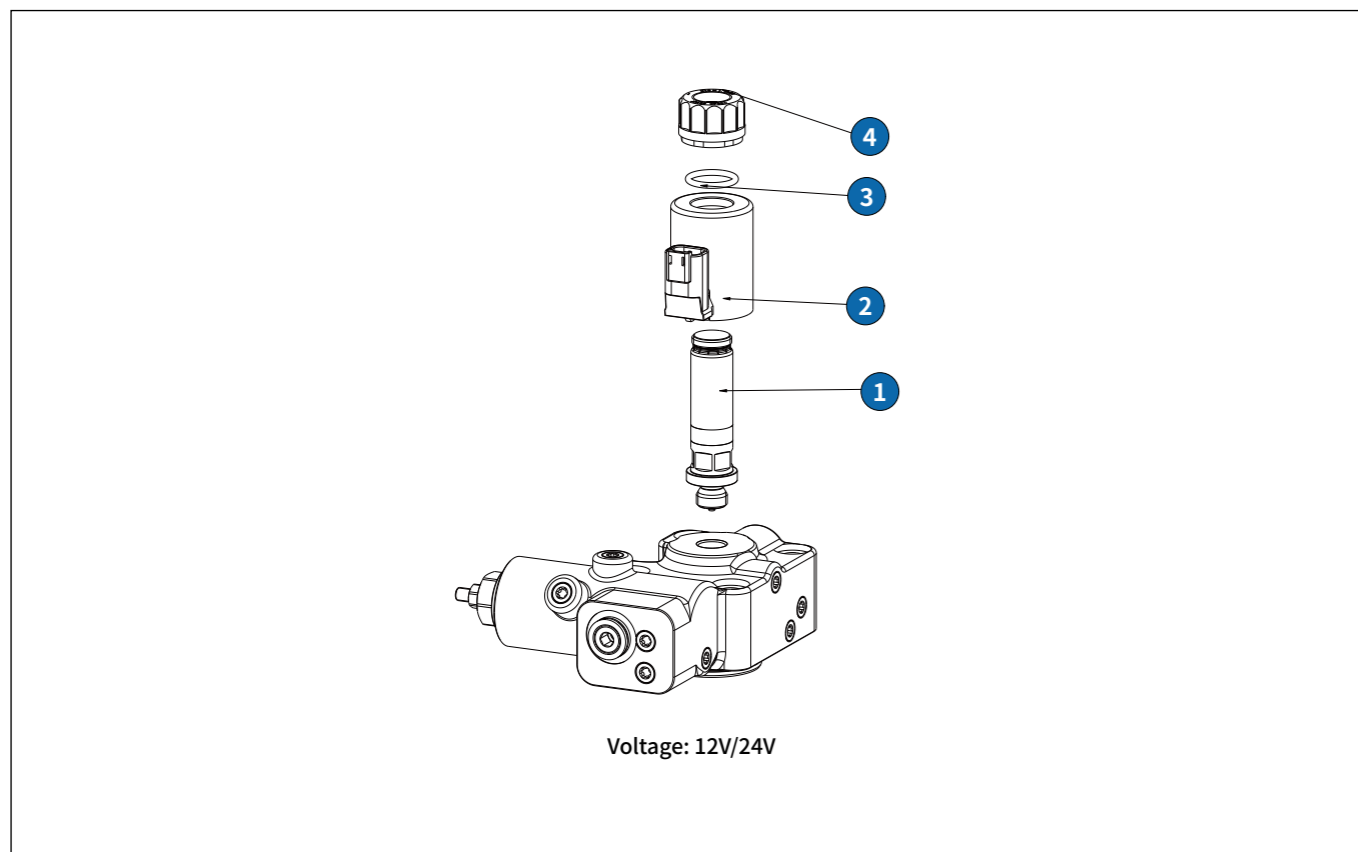
Variable Parts—ET1/ET2/EW1/EW2/HT/HW Control Mode					
Serial No.	Part Name	Specification	Order No.	QTY.per kit	Drawing No.
1	Spring seat	HM6V200-02000F	210000303579	1	HM6V200-02000F
2	Spring	8.3/1.6*19.2/5	210000481010	1	HM6V170-02000E-HP

Variable Parts—V1 Control Mode					
Serial No.	Part Name	Specification	Order No.	QTY.per kit	Drawing No.
1	Spring seat	HM6V200-02000F	210000303579	1	HM6V200-02000F
2	Spring	8.5/1.8*19.2/4.75	210000443220	1	HM6V115-02000A

Variable Parts—V2 Control Mode					
Serial No.	Part Name	Specification	Order No.	QTY.per kit	Drawing No.
1	Spring seat	HM6V200-02000F	210000303579	1	HM6V200-02000F
2	Spring	8.5/1.8*19.2/4.75	210000443220	1	HM6V115-02000A
3	Spring seat	HM6V200-02000C	210000352381	1	HM6V200-02000C
4	Spring	25.6/1.5*94.5/10.2	210000563031	1	HM6V200-02000A-HA2

3.8.9 M60V(E)215 Electromagnet Parts

Order code: Electromagnet parts are not subject to selection

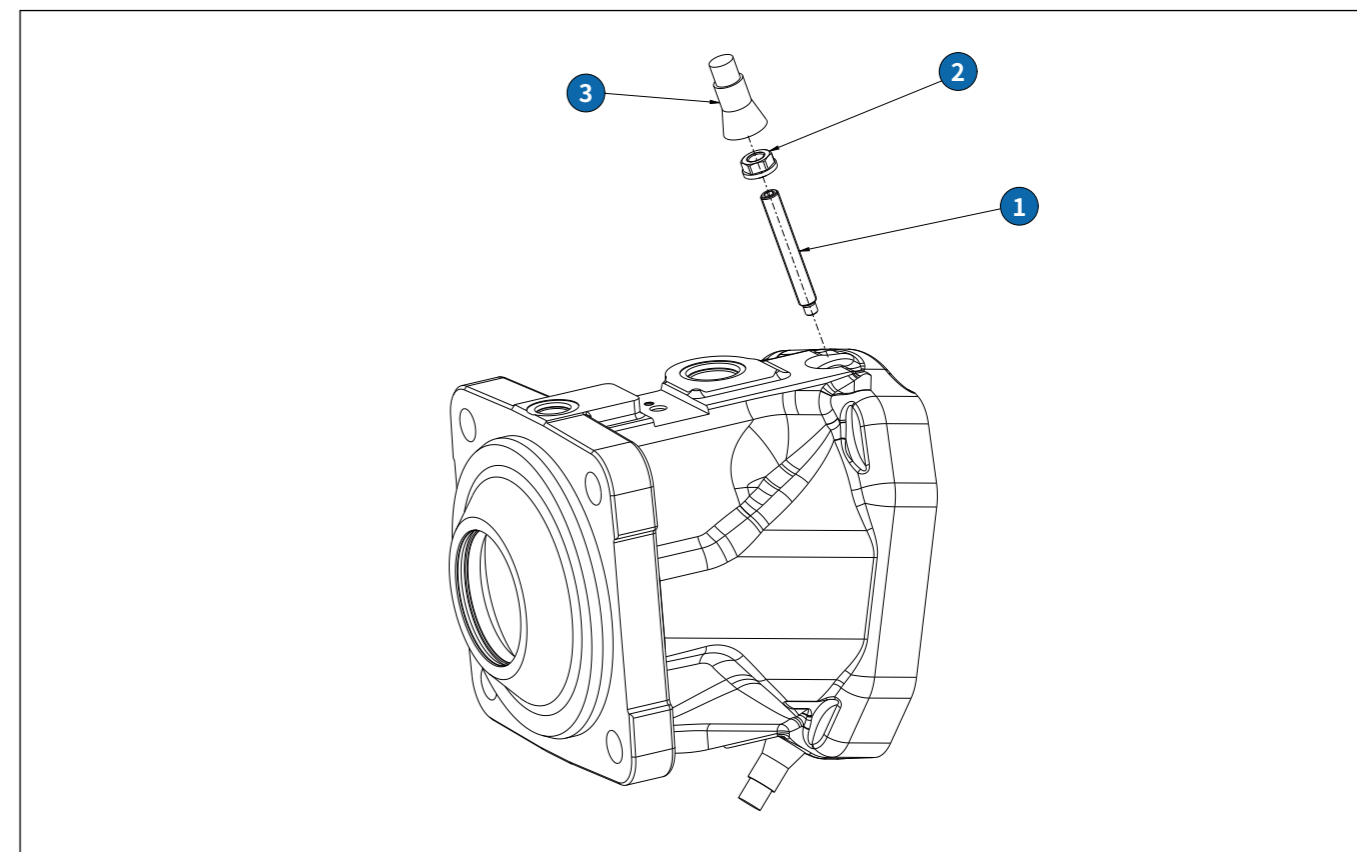


Order code: Electromagnet parts are not subject to selection

Serial No.	Part Name	Specification	Order No.	QTY.per kit	Drawing No.
1	Core tube	1923M14-01	210000463000	1	1923M14-01
2	24V: Solenoid coil	EP37-K7-DC24V-R23.5-065	210000601867	1	OR2-116-N6
	12V: Solenoid coil	EP37-K7-DC12V-R5.7-130	210000601843	1	EP37-K7-DC12V-R5.7-130
3	O-ring	φ18.72*2.62	110000110022	1	V32G200-0110DSF-K55
4	Lock nut	M18*1.5*20	210000427176	1	EP37-00000C

3.8.10 M60V(E)215 Small-displacement Adjustment Parts

Order code: Small-displacement adjustment parts are not subject to selection

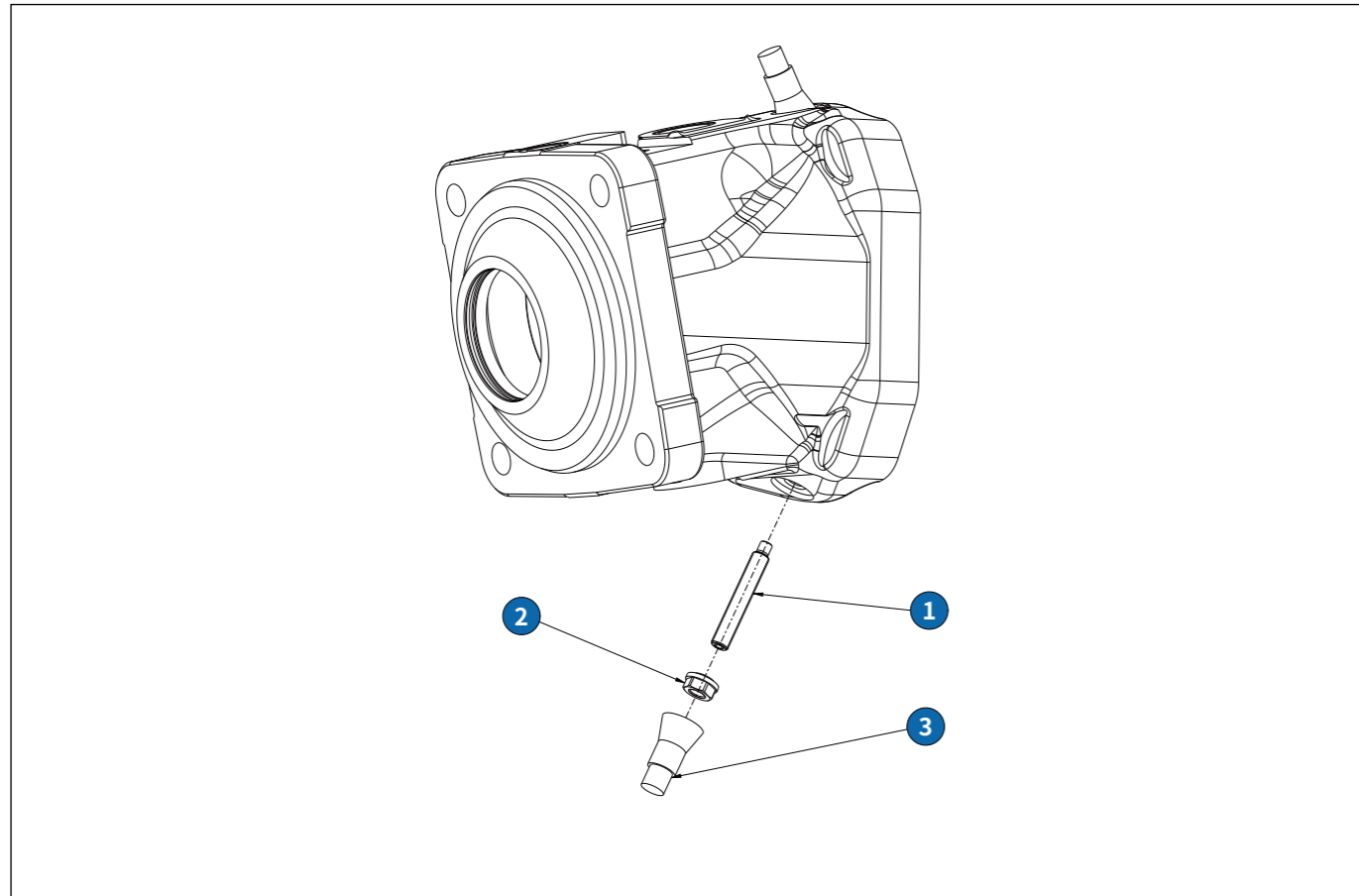


Order code: Small-displacement adjustment parts are not subject to selection

Serial No.	Part Name	Displacement Range	Specification	Order No.	QTY.per kit	Drawing No.
1	Limit screw	Small-displacement range 0-44.5	M12×80	210000303655	1	HM6V200-000005
		Small-displacement range 44.5-80	M12×90	210000365007	1	HM6V215-000004
		Small-displacement range 80-115	M12×100	210000303661	1	HM6V200-000004
		Small-displacement range 115-150	M12×115	210000463380	1	HM6V215-000005
2	Sealing lock nut	Small-displacement range 0-150	M12*1.75	210000294056	1	5320120230
3	Tamper-proof cap		M12	210000372330	1	M12

3.8.11 M60V(E)215 Large-displacement Adjustment Parts

· Order code: Large-displacement adjustment parts are not subject to selection



Order code: Large-displacement adjustment parts are not subject to selection

Serial No.	Part Name	Displacement Range	Specification	Order No.	QTY.per kit	Drawing No.
1	Limit screw	Large-displacement range 175-216.5	M12×80	210000303655	1	HM6V200-000005
		Large-displacement range 141-175	M12×90	210000365007	1	HM6V215-000004
		Without screws				
2	Sealing lock nut	Large-displacement range 141-216.5/ Without screws	M12*1.75	210000294056	1	5320120230
3	Tamper-proof cap		M12	210000372330	1	M12



Hengli hydraulic Co.,Ltd

ADD: No.99 Longqian Road, Wujin District,
Changzhou 213167, China
TEL: +86 400 101 8889
FAX: +86 519 8615 9988
E-mail: hengli@henglihydraulics.com

Hengli America

ADD: 580 Crossroads Parkway, Bolingbrook,
Illinois 60440
TEL: +01 630 995 3674
E-mail: sales@hengliamerica.com

Hengli Germany

ADD: Sperenberger Straße 13D-12277 Berlin,
Germany
TEL: +49 (30) 72088-0
E-mail: info@inlinehydraulik.com

Hengli Japan

ADD: 3F, VORT Shibapark II, 2-3-9 Shiba,
Minato-Ku, Tokyo, Japan 105-0014
TEL: +81 03 6809 1696/03 6809 6515
E-mail: daizheng@henglihydraulics.com

Hengli India

ADD: PAP-B-67/1, Bhamboli-Varale Chakan
MIDC Phase2,Pune 410505
TEL: +0091 98456 73856
E-mail: sudhindra.sabnis@henglihydraulics.com

Hengli Mexico

ADD: Parque Industrial Finsa.Lote 2B1.Santa Catarina,
Nuevo Leon, Mexico
TEL: +52 818 680 4103
E-mail: lauro.garza@henglihydraulics.com

Hengli Indonesia

ADD: B10,Kawasan Logistik Cakung, PT Alun Indah,
Jl Raya Bekasi KM 23.5, Cakung, Jakarta
TEL: +62 81114020059
E-mail: xitao@henglihydraulics.com

Hengli Brazil

ADD: Rua Bom Sucesso, 220 Corporativo 3001
Tatuape CEP 03305-000 São Paulo-SP
TEL: +55 1198383-3104
E-mail: racrosta@henglihydraulics.com

Hengli Hydraulics
No. HL 2026-03

The data indicated in this brochure is only used for the description of products.
Our products have been in continuous development and innovation. Application of the
information in this brochure is not limited to special condition or applicability in particular
industry. If there is any question, welcome to call to consult.



Please scan the QR code to
login our website for more
information.