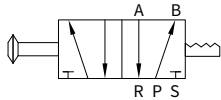


Push-pull valve (5/2 way)

Graphical Symbol



Specification

Model	HVL5110-06	HVL5210-06	HVL5210-08	HVL5310-08	HVL5310-10
Fluid	Air (To be filtered by 40 μm filter element)				
Operating	Manual control direct acting type				
Port size ¹⁾	G1/8		G1/4	G3/8	
Orifice size	12.0mm ² (Cv=0.67)	14.0mm ² (Cv=0.78)	16.0mm ² (Cv=0.89)	25.0mm ² (Cv=1.39)	30.0mm ² (Cv=1.67)
Valve type	5/2 way				
Lubrication ²⁾	Not required				
Pressure range	0~0.8MPa (0~116psi)				
Proof pressure	1.5Mpa(215psi)				
Temperature	-20~70				
Material of body	Aluminum alloy				

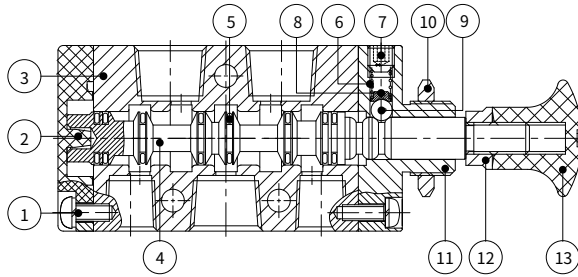
1) PT thread and NPT thread are available

2) Once lubrication air is used, continue with the same medium to optimize valve life span. It is suggested to use ISOVG32 or the oil with the same grade.

How to order

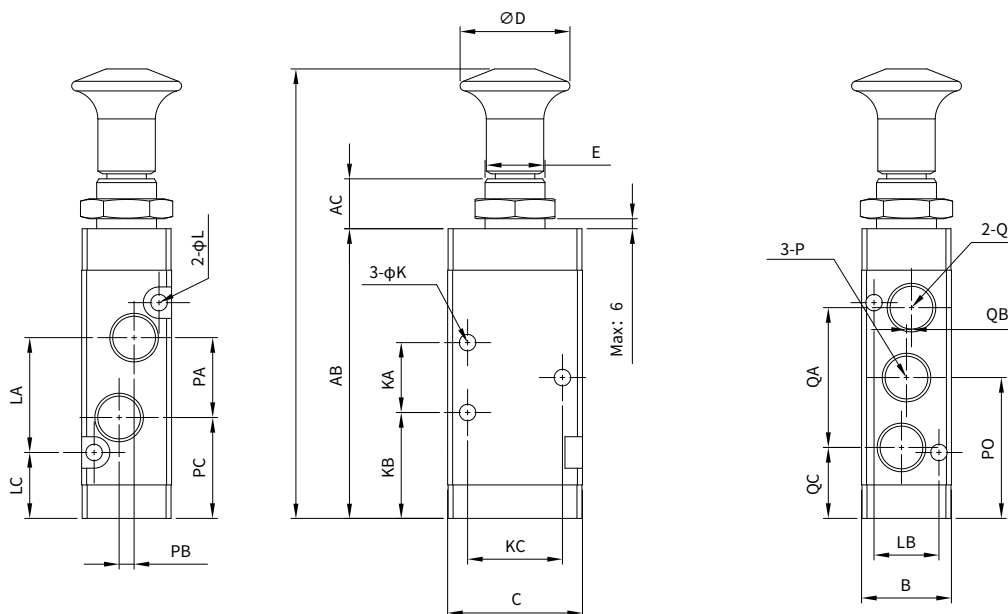
HVL5110-06	HVL5	2	10	08
	①	②	③	④
①	Model: HVL5: 5 port 2 position push-pull valve			
②	Code: 1:100 Series; 2:200 Series; 3:300 Series;			
③	Valve type: 10: 2 position			
④	Port size: 100 Series: 06: G1/8; 200 Series :06: G1/8, 08: G1/4; 300 Series: 08: G1/4, 10: G3/8			

Inner Structure



No.	Name
1	Round head screw
2	Bottom cover
3	Body
4	Spool
5	O-ring
6	Spring
7	Stop screw
8	Spring holder
9	Steel ball
10	Hexagon nut
11	Top cover
12	Safety nut
13	Hand grip

Dimensions



Item\ Model	HVL5110-06	HVL5210-06	HVL5210-08	HVL5310-08	HVL5310-10
A	98	106	106	121.5	121.5
AB	58.5	65.8	65.8	81	81
AC	10	10	10	10	10
B	18	22	22	27	27
C	27	35	35	40	40
D	25	25	25	25	25
E	M12×0.75	M14×1.0	M14×1.0	M16×1.0	M16×1.0
K	3.3	4.3	4.3	4.3	4.3
KA	14	20	20	24	24
KB	22	22.5	22.5	28.5	28.5
KC	19	23.5	23.5	27.5	27.5
L	3.3	3.3	3.3	4.3	4.3
LA	30	38	38	50	50
LB	13	17	17	20	20
LC	14	13.5	13.5	15.5	15.5
PT1/8	PT1/8	PT1/8	PT1/8	PT1/4	PT1/4
PA	16	18	18	22	22
PB	3	0	0	0	0
PC	21	23.5	23.5	29.5	29.5
PD	29	32.5	32.5	40.5	40.5
Q	PT1/8	PT1/8	PT1/8	PT1/4	PT1/4
QA	28	36	36	45	45
QB	2	0	0	0	0
QC	15	14.5	14.5	18	18

Actuator element

Control element

Service unit combination

Attachment