



5.2

HSQF

STEERING PRIORITY VALVE

Maximum inlet pressure (bar)	350
Rated flow rate of oil inlet (L/min)	160
Priority work oil port maximum pressure (bar)	240
Priority work oil port flow rate (L/min)	80



Contents

	Page
Features	03
Technical data	03
Hydraulic diagram	04
Unit dimensions	05

Features

1. Advantage

- Using a PTO power take-off port can save space even more.
- Implement priority control for traffic allocation.
- Ensure safer and more reliable steering function.
- Can be used for quantitative and variable pump systems.

2. Applications

Suitable for various types of construction machinery and agricultural machinery.



Forklift



Tractor



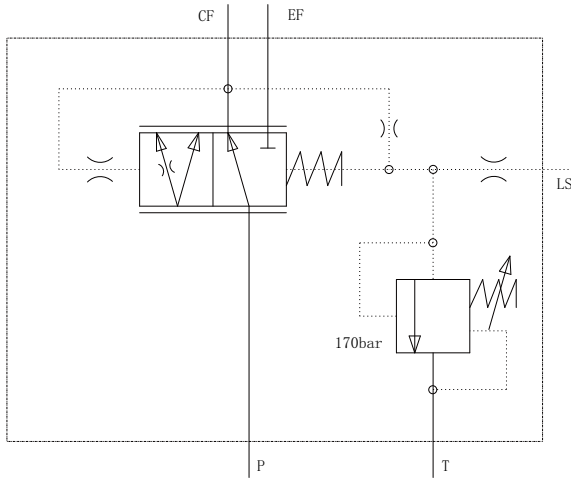
Empty container crane

Technical data

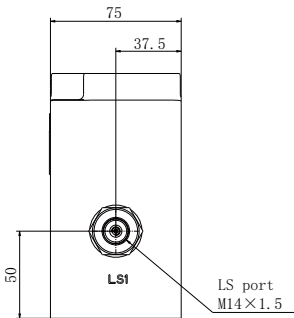
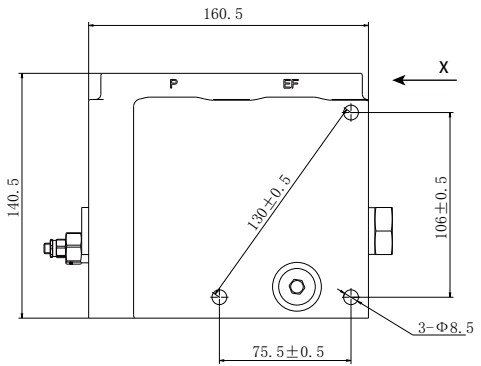
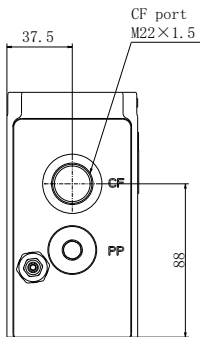
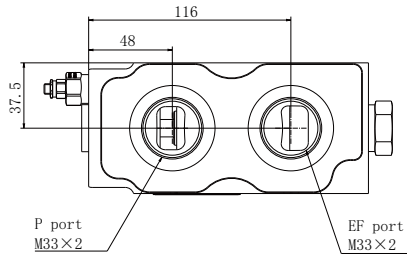
General

Control spring pressure (bar)		7
P port rated flow (L/min)		160
CF port rated flow (L/min)		80
Maximum pressure at port (bar)	P port	350
	EF port	350
	CF port	240
	LS port	240
	T port	15
	PP port	210
Cleanliness		MAX ISO4406 18/15

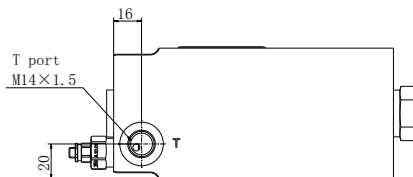
Hydraulic diagram



Unit dimensions



X view



Unit dimensions

Port dimensions

Port	Port name	Standard	Port specification
CF	Connect to the P port of the steering gear	ISO 6149-1	M22×1.5
P	Inlet port	ISO 6149-1	M33×2
EF	Outlet Port	ISO 6149-1	M33×2
T	Return port	ISO 6149-1	M14×1.5
LS	LS port	ISO 6149-1	M14×1.5





Hengli hydraulic Co.,Ltd.

ADD: No.99 Longqian Road, Wujin District,
Changzhou 213167, China
TEL: +86 400 101 8889
E-mail: hengli@henglihydraulics.com

Hengli America

ADD: 580 Crossroads Parkway, Bolingbrook,
Illinois 60440
TEL: +01 630 995 3674
E-mail: sales@hengliamerica.com

Hengli Germany

ADD: Sperenberger Straße 13 D-12277 Berlin,
Germany
TEL: +49 (30) 72088-0
E-mail: info@inlinedhydraulik.com

Hengli Japan

ADD: 3F, VORT Shibapark II , 2-3-9 Shiba,
Minato-Ku, Tokyo, Japan 105-0014
TEL: +81 03 6809 1696/03 6809 6515
E-mail: daizheng@henglihydraulics.com

Hengli India

ADD: PAP-B-67/1, Bhamboli-Varale Chakan MIDC
Phase2,Pune 410505
TEL: +0091 98456 73856
E-mail: sudhindra.sabnis@henglihydraulics.com

Hengli Mexico

ADD: Parque Industrial Finsa.Lote 2B1.Santa Catarina,
Nuevo Leon, Mexico
TEL: +52 818 680 4103
E-mail: lauro.garza@henglihydraulics.com

Hengli Indonesia

ADD: B10,Kawasan Logistik Cakung, PT Alun Indah,
Jl Raya Bekasi KM 23.5, Cakung, Jakarta
TEL: +62 81114020059
E-mail: xitao@henglihydraulics.com

Hengli Brazil

ADD: Rua Bom Sucesso, 220 Corporativo 3001
Tatuape CEP 03305-000 São Paulo-SP
TEL: +55 1198383-3104
E-mail: racrosta@henglihydraulics.com

Hengli Hydraulics
HL 2025-07

The data indicated in this brochure is only used for the description of products.
Our products have been in continuous development and innovation. Application of
the information in this brochure is not limited to special condition or applicability in
particular industry. If there is any question, welcome to call to consult.



Please scan the QR code to
login our website for more
information.