

Parts Manual

HM4V Series

Swash-plate Type Axial Piston Fixed Displacement Motor

Contents

HM5F Series	
1.General Information	02
2.Functional Description	02
3.Product Parts	
3.1 HM5F-15	03
3.2 HM5F-18	13
3.3 HM5F-23*	-
3.4 HM5F-29	03
3.5 HM5F-34*	-

Note: "*" indicates under production.

1 General information

This manual lists parts related information for the full range of HM5F swash-plate type axial piston fixed displacement motor. The main purpose of this manual is to better serve our customers by enabling them to quickly locate parts and find Hengli Genuine Parts.

If you require more detailed information on parts, please contact
Jiangsu Hengli Hydraulic Co.,Ltd.
www.henglihydraulics.com
or consult with the relevant sales engineer.

2 Functional Description

- Based on the information on the nameplate attached to the motor, the basic configuration of the motor can be determined, e.g.: HM5F2910000-RGSS20B
For specific information, please refer to the Hengli catalogue selection to find the corresponding parts.
- With the nameplate information, you can quickly find information such as shaft, housing, bearing and other component material numbers in this manual.

3 HM5F Product Parts

3.4 HM5F29

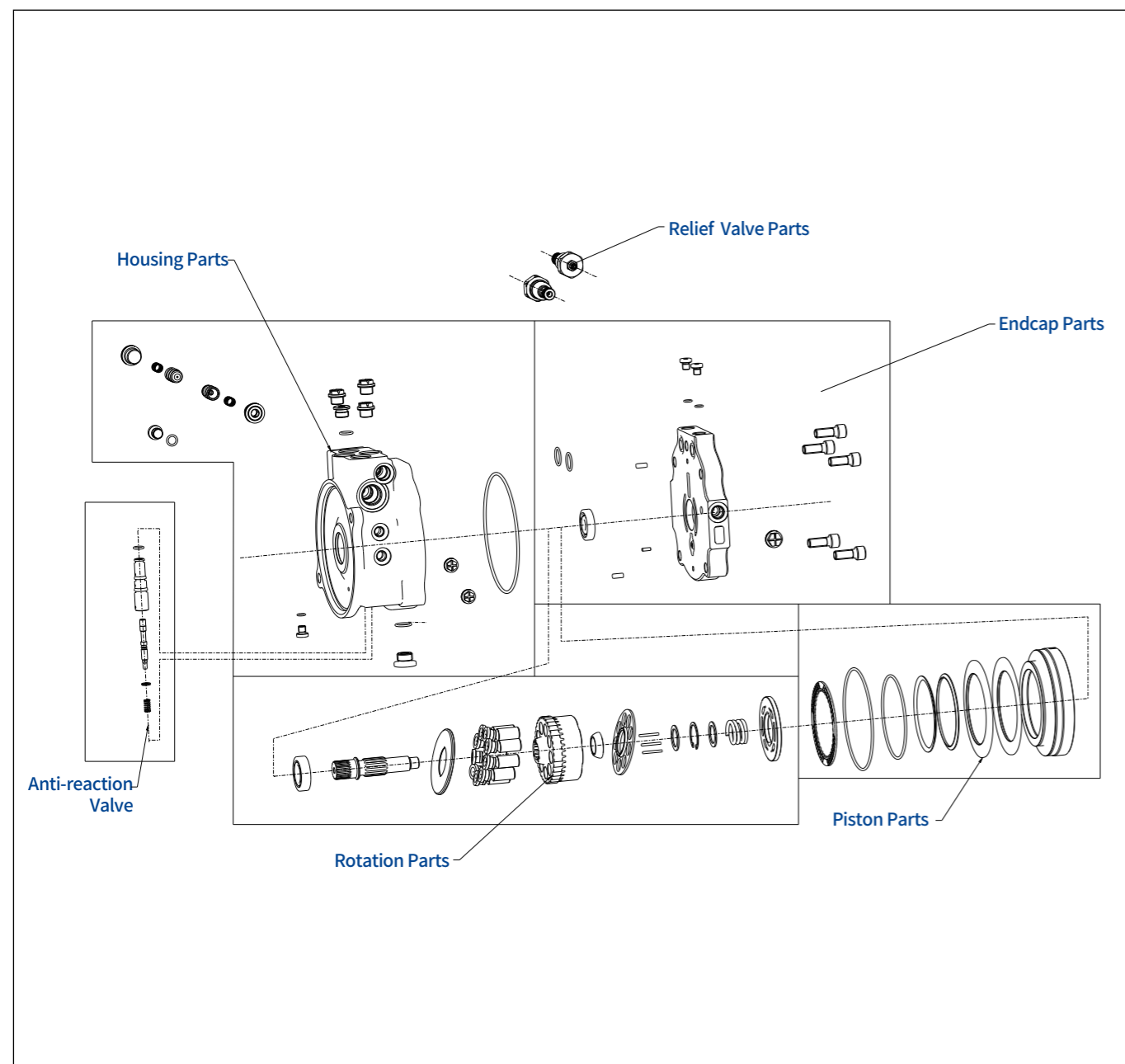


HM5F-29

3.4 HM5F29

·Take endcap parts with drain port on side as an example.

HM5F29 Integral Parts



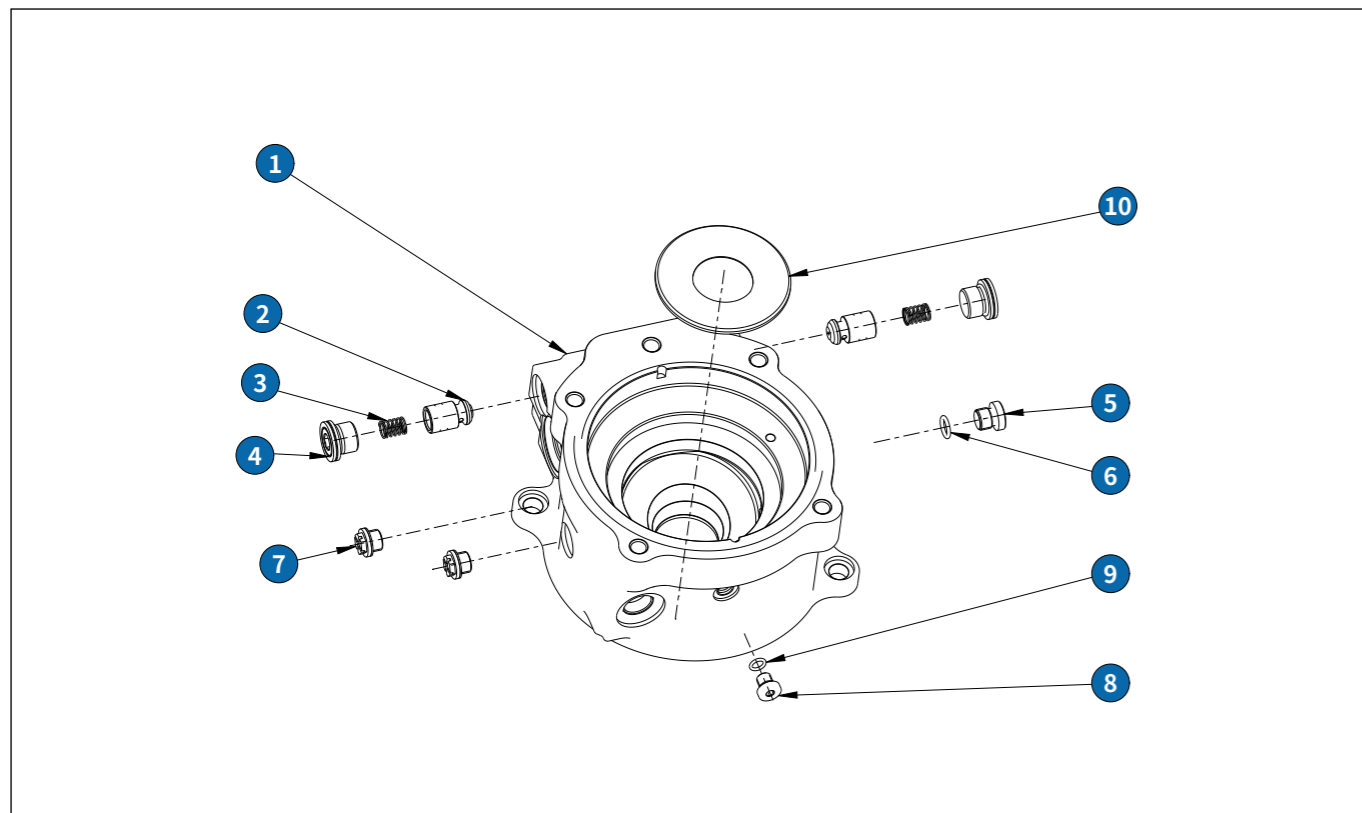
3.4 HM5F29

HM5F29 Parts Catalogue

3.4.1 Housing Parts	
Delay valve selection code 1/0	06-07
3.4.2 Endcap Parts	
Drain port on side	08
Drain port on top	09
3.4.3 Rotation Parts	
Rotation parts	10
3.4.4 Shaft Parts	
Shaft parts	11
3.4.5 Piston Parts	
Piston parts	12
3.4.6 Delay Valve Parts	
With delay valve selection code 1	13
3.4.7 Relief Valve Parts	
Relief valve selection code 000	14-15

3.4.1 HM5F29 Housing Parts

· Order code 1: With anti-reaction valve, pilot port

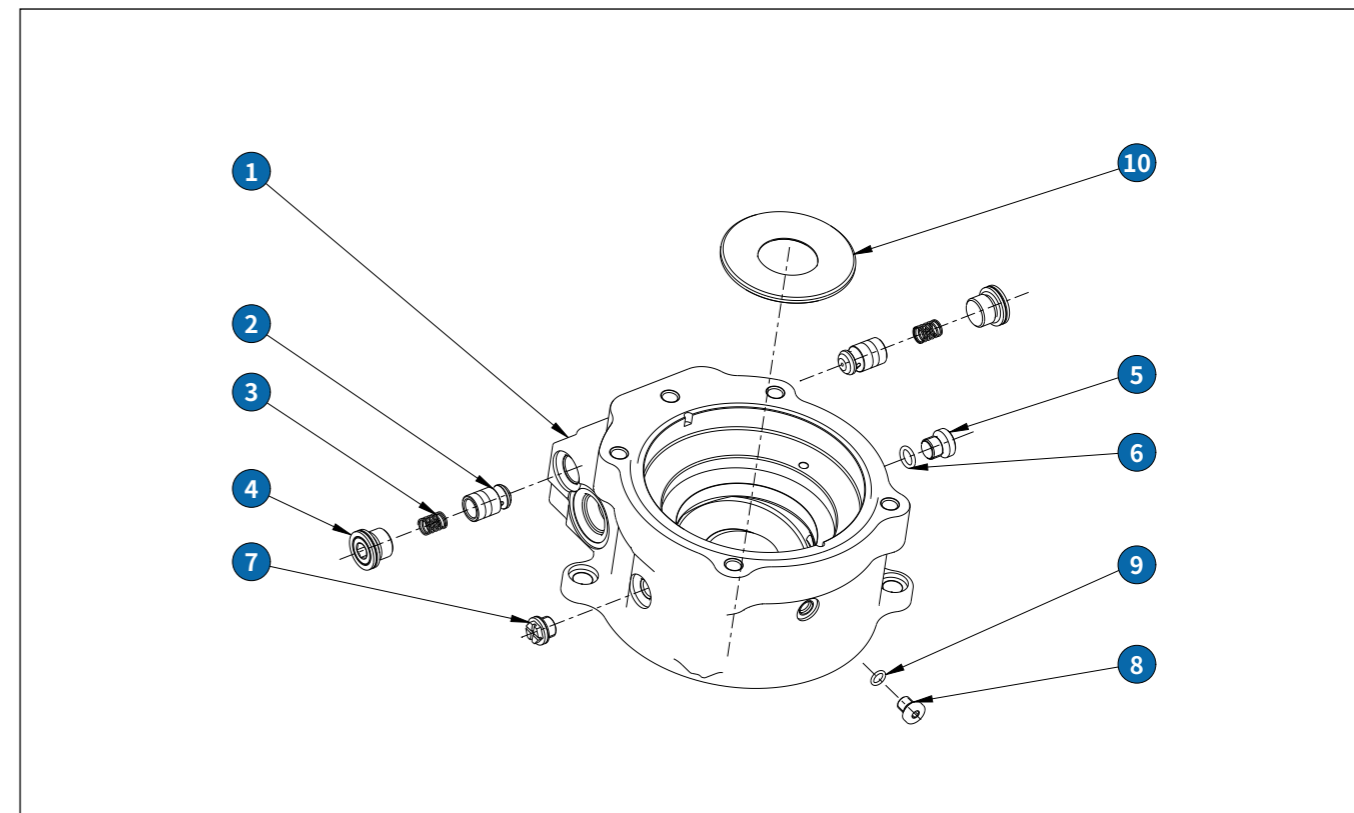


Order code: 1

Serial No.	Part Name	Specification	Order No.	QTY.per kit	Drawing No.
1	Housing	HM5F29-0410HSN	210001105592	1	HM5F29-0410HSN
2	Spool	HM5X27-0691SPL-01	210000945330	2	HM5X27-0691SPL-01
3	Spring	10.8/0.8*27/9	210000943352	2	HM5X27-0691CSP-01
4	Hexagon socket plug (with O-ring)	M20*1.5(with O-ring)	210000422698	2	M20*1.5(with O-ring)
5	Hexagon socket plug	G1/4	210000293555	1	G1/4
6	O-ring	φ10.8*2.4	110000067694	1	φ10.8*2.4
7	External plug (cross-head washer)	G1/4	110000022842	2	G1/4
8	Plug	HLPV28-050006	210000293833	1	HLPV28-050006
9	O-ring	φ7.8*1.9	110000001194	1	φ7.8*1.9
10	Friction disc	HM5X027-000001	210000627259	1	HM5X027-000001

3.4.1 HM5F29 Housing Parts

· Order code 0: Without anti-reaction valve, pilot port

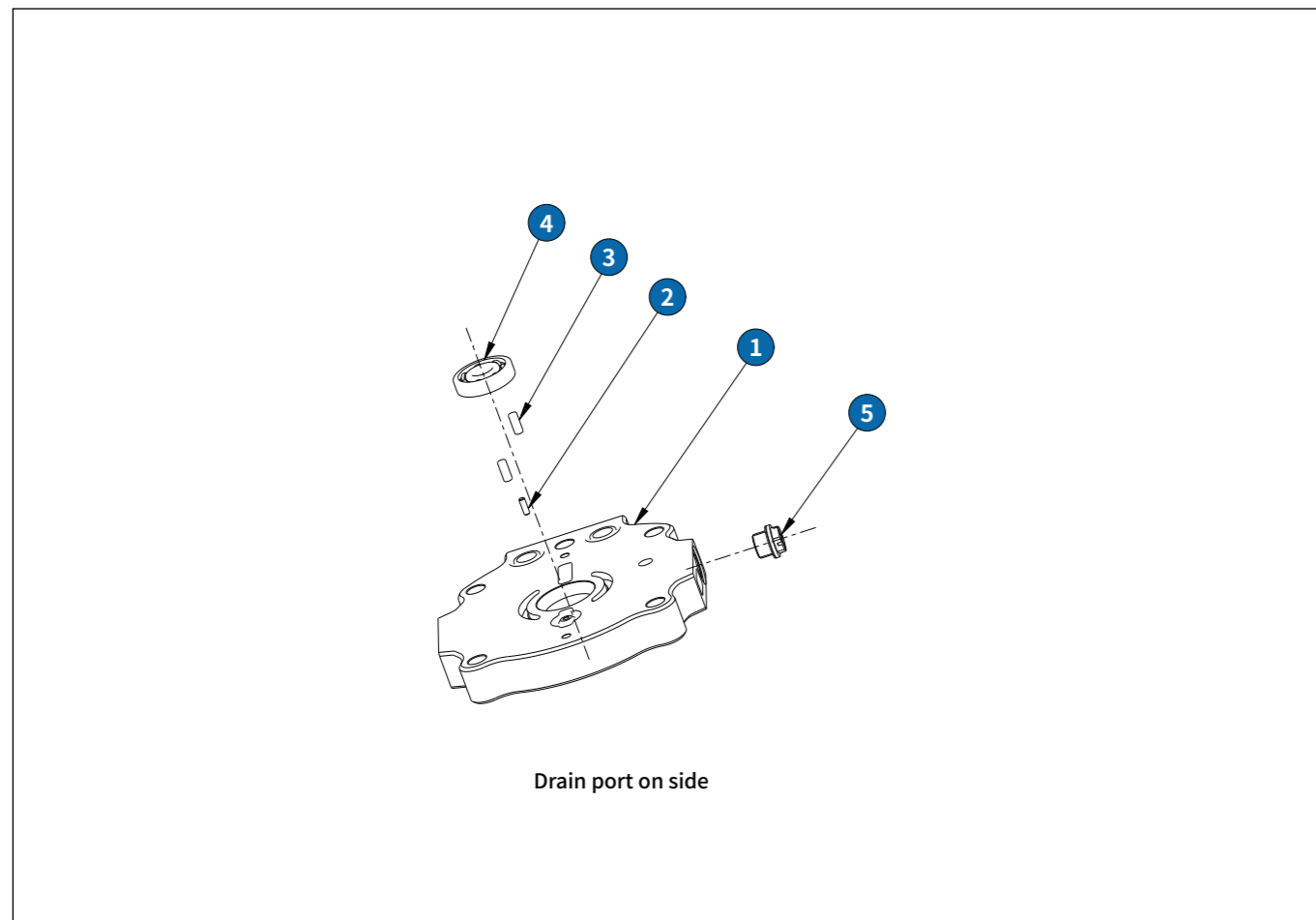


Order code: 0

Serial No.	Part Name	Specification	Order No.	QTY.per kit	Drawing No.
1	Housing	HM5F29-0410HSN-01	210001194702	1	HM5F29-0410HSN-01
2	Spool	HM5X27-0691SPL-01	210000945330	2	HM5X27-0691SPL-01
3	Spring	10.8/0.8*27/9	210000943352	2	HM5X27-0691CSP-01
4	Hexagon socket plug (with O-ring)	M20*1.5(with O-ring)	210000422698	2	M20*1.5(with O-ring)
5	Hexagon socket plug	G1/4	210000293555	1	G1/4
6	O-ring	φ10.8*2.4	110000067694	1	φ10.8*2.4
7	External plug (cross-head washer)	G1/4	110000022842	2	G1/4
8	Plug	HLPV28-050006	210000293833	1	HLPV28-050006
9	O-ring	φ7.8*1.9	110000001194	1	φ7.8*1.9
10	Friction disc	HM5X027-000001	210000627259	1	HM5X027-000001

3.4.2 HM5F29 Endcap Parts

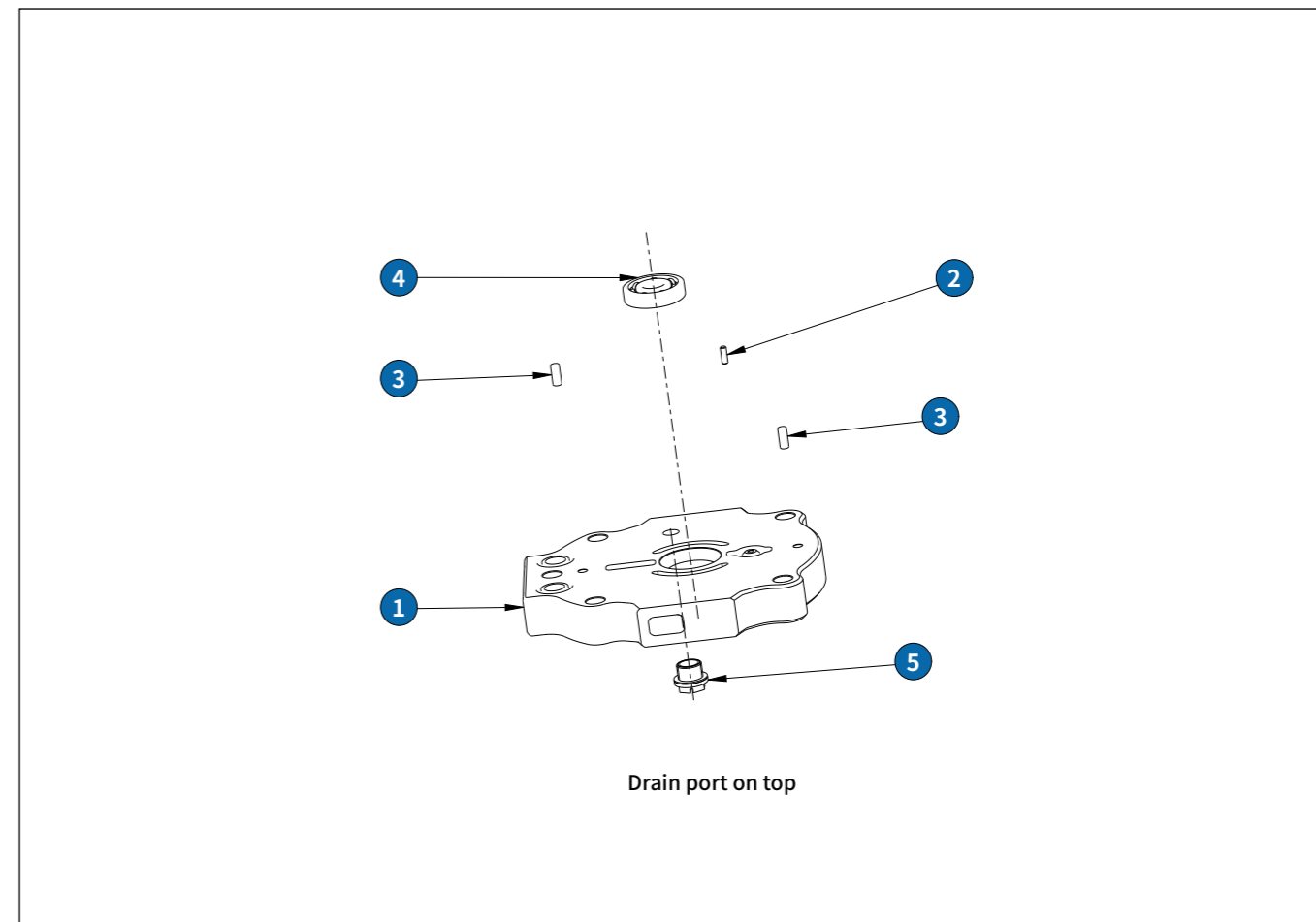
· Order code: Endcap parts are not subject to selection code.



Serial No.	Part Name	Specification	Order No.	QTY.per kit	Drawing No.
1	Endcap	HM5F29-0510RFG	210001106860	1	HM5F29-0510RFG
2	Cylindrical pin	φ4*12	210000200965	1	HM5X27027-020002
3	Cylindrical pin	φ6*14.5	210000300966	2	HM5X27027-020003
4	Deep groove ball bearing	φ15*φ42*13	210000294623	1	6302
5	Outer plug	G3/8	110000022844	1	G3/8

3.4.2 HM5F29 Endcap Parts

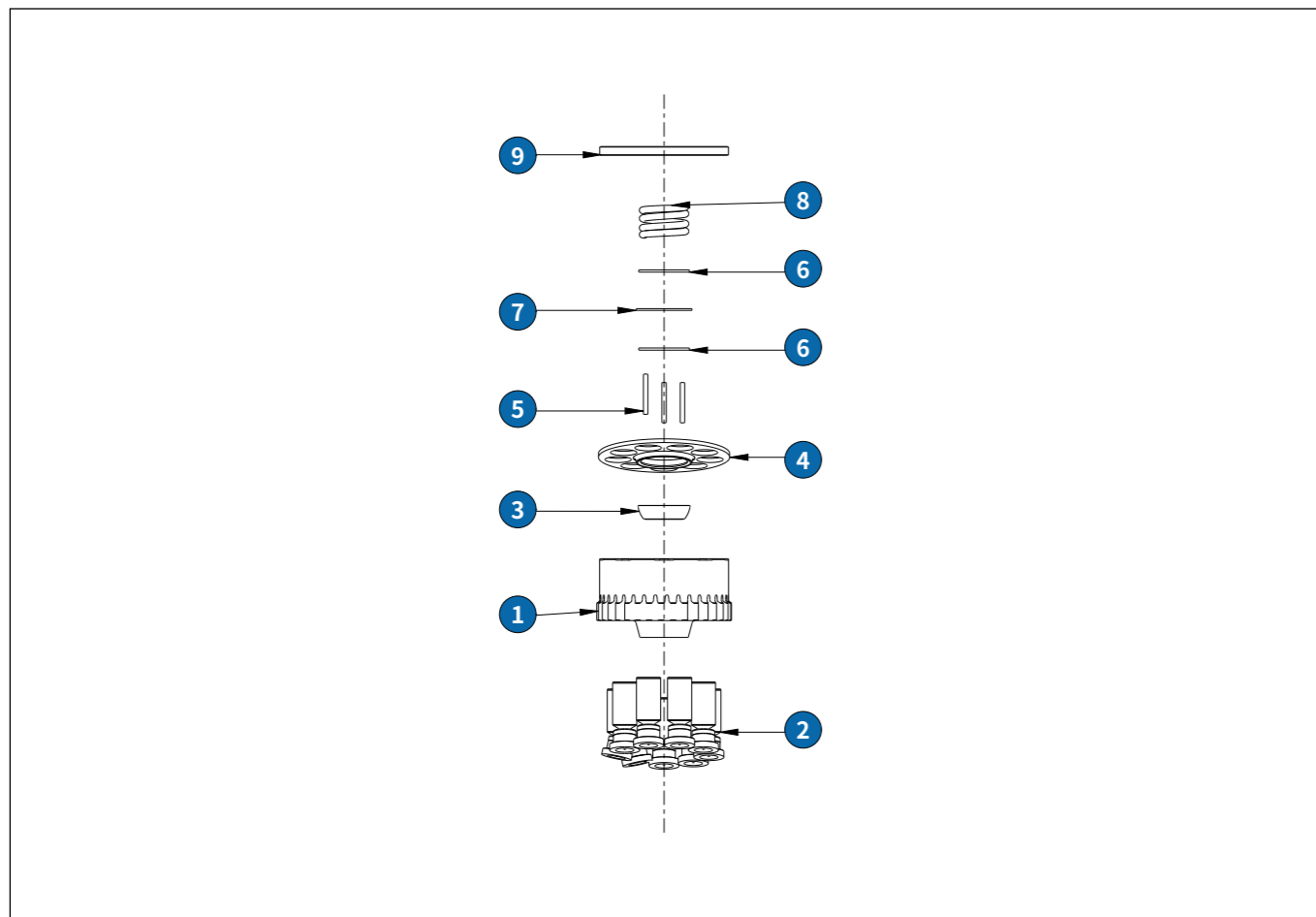
· Order code: Endcap parts are not subject to selection code.



Serial No.	Part Name	Specification	Order No.	QTY.per kit	Drawing No.
1	Endcap	HM5F29-0510RFG-01	210001156855	1	HM5F29-0510RFG-01
2	Cylindrical pin	φ4*12	210000200965	1	HM5X27027-020002
3	Cylindrical pin	φ6*14.5	210000300966	2	HM5X27027-020003
4	Deep groove ball bearing	φ15*φ42*13	210000294623	1	6302
5	Outer plug	G3/8	110000022844	1	G3/8

3.4.3 HM5F29 Rotation Parts

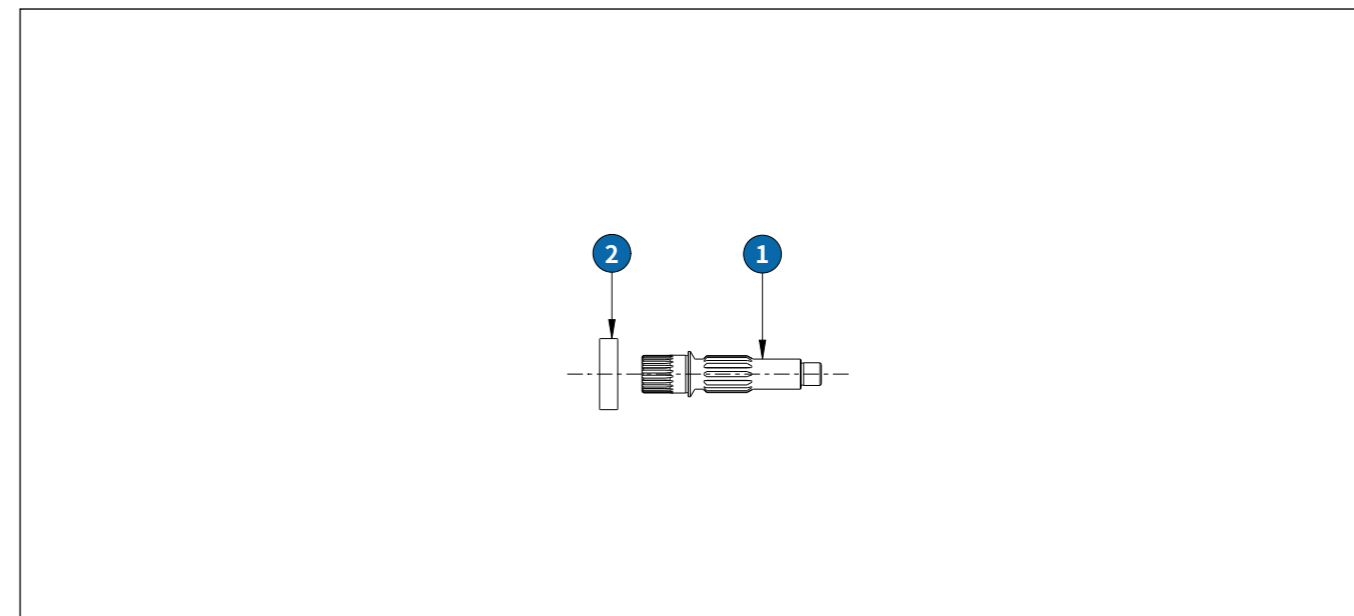
· Order code: Rotation parts are not subject to selection code.



Serial No.	Part Name	Specification	Order No.	QTY.per kit	Drawing No.
1	Cylinder block	HM5F29-0211CYD	210001105594	1	HM5F29-0211CYD
2	Piston assembly	HM5X34-031000	210000300311	9	HM5X34-031000
3	Ball hinge	HM5X34-030003	210000302607	1	HM5X34-030003
4	Return disc	HM5X34-030004	210000303005	1	HM5X34-030004
5	Cylindrical pin	HM5X34-030007	210000299687	3	HM5X34-030007
6	Gasket	HM5X34-030006	210000303174	2	HM5X34-030006
7	Circlip for C-Shaft	CE-IN35	210000294435	1	CE-IN35
8	Spring	HM5X34-030005	210000292857	1	HM5X34-030005
9	Valve plate	HM5F29-0212CTP	210001105967	1	HM5F29-0212CTP

3.4.4 HM5F29 Shaft Parts

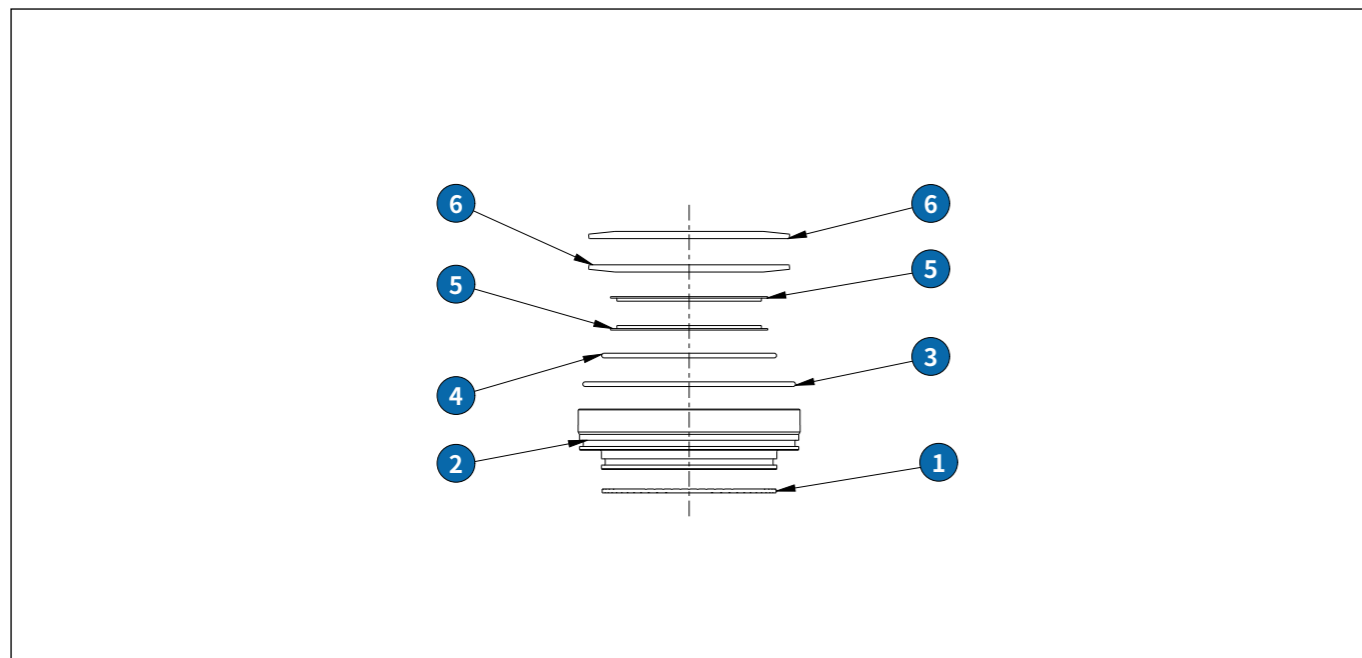
· Order code: Shaft parts are not subject to selection code.



Serial No.	Part Name	Specification	Order No.	QTY.per kit	Drawing No.
1	Shaft	HM5F29-0110DSF-G23	210001105595	1	HM5F29-0110DSF-G23
2	Cylindrical roller bearings	$\phi 25 * \phi 47 * 12$	210001155336	1	$\phi 25 * \phi 47 * 12$

3.4.5 HM5F29 Piston Parts

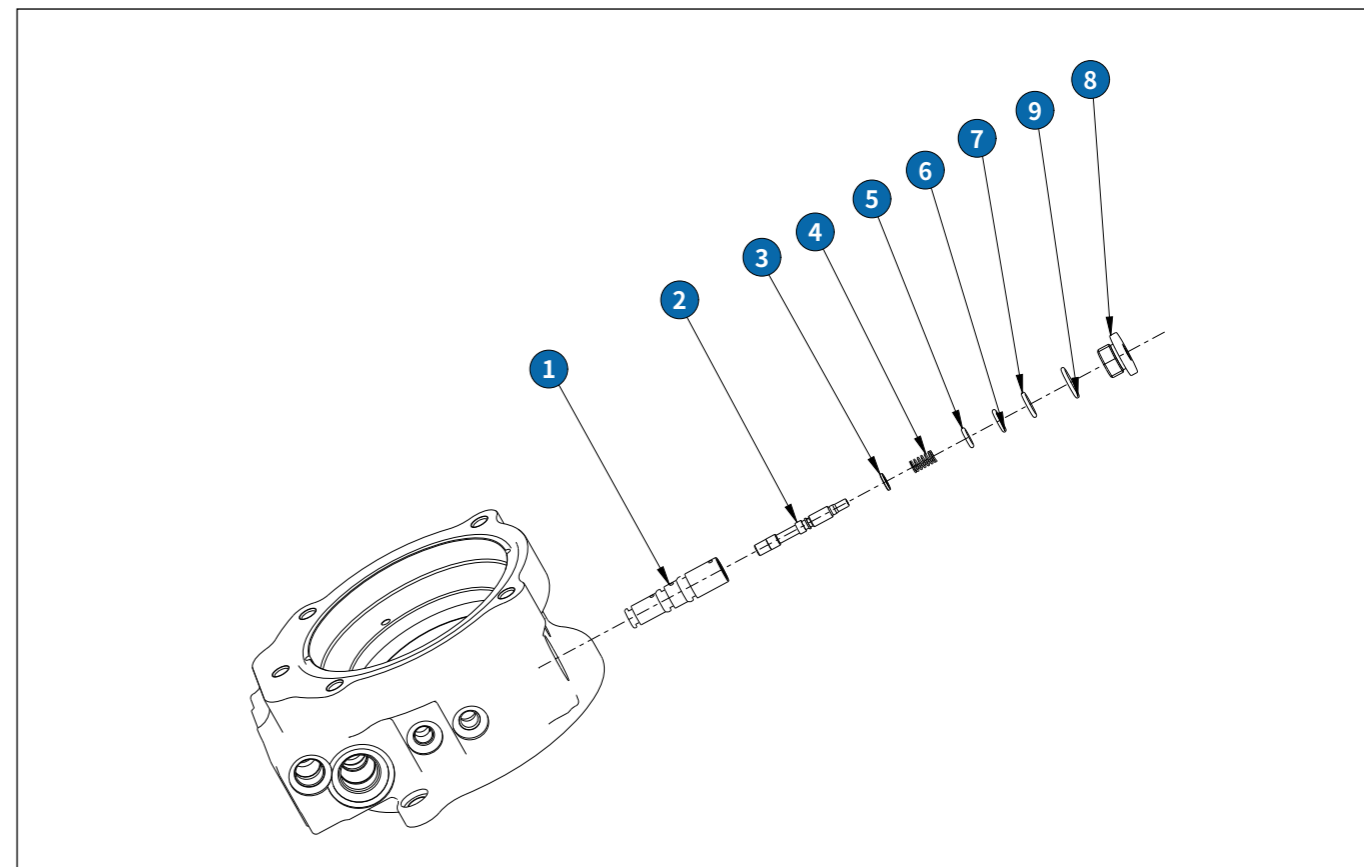
· Order code: Piston parts are not subject to selection code.



Serial No.	Part Name	Specification	Order No.	QTY.per kit	Drawing No.
1	Piston	HM5F29-0320RPS	210001114438	1	HM5F29-0320RPS
2	Friction plate	HM5X027-000005	210000301970	1	HM5X027-000005
3	O-ring	φ134.4*3.1	110000118071	1	ORG135-N7
4	O-ring	φ109.4*3.1	110000081124	1	φ109.4*3.1
5	Sprin seat	HM5X027-000004	210000298027	2	HM5X027-000004
6	Disc spring	HM5X027-000003	210000293647	2	HM5X027-000003

3.4.6 HM5F29 Delay Valve Parts

· Order code 1: With delay valve

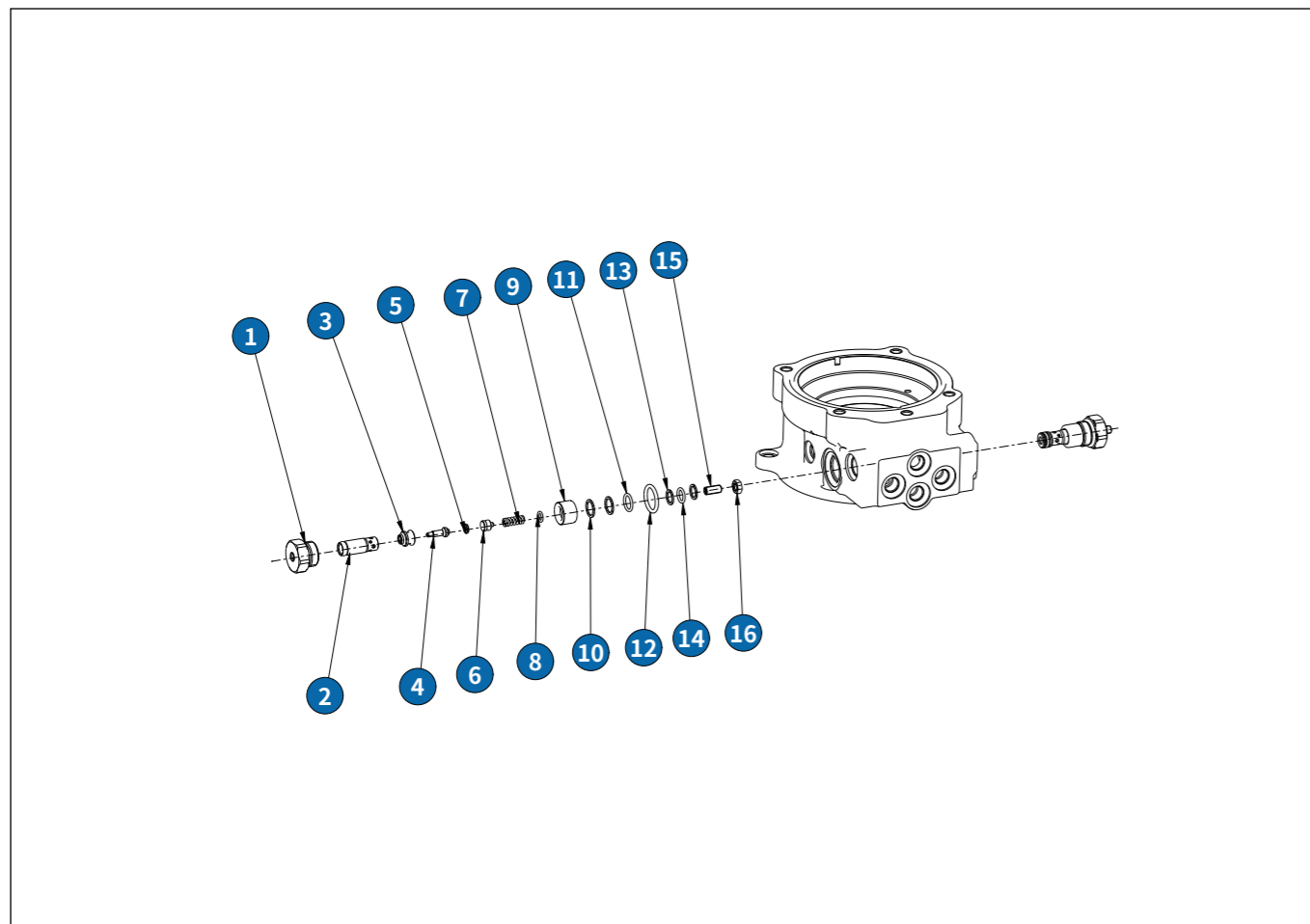


Order code: 1

Serial No.	Part Name	Specification	Order No.	QTY.per kit	Drawing No.
1	Valve sleeve	HM5X027-010001	210000303219	1	HM5X027-010001
2	Spool	HM5X027B-010002	210000297840	1	HM5X027B-010002
3	Gasket	HM5X027B-010003	210000303163	1	HM5X027B-010003
4	Spring	HM5X027B-010004	210000292705	1	HM5X027B-010004
5	O-ring	φ9.8*2.4	210000294276	1	P-10A
6	O-ring	φ11.8*2.4	110000109131	1	ORP12-N7
7	O-ring	φ13.8*2.4	110000082543	1	ORP14-N7
8	Plug	G1/2	210000295785	1	HM5X027B-000001
9	O-ring	φ17.8*2.4	110000063955	1	ORP18-N7

3.4.7 HM5F29 Relief Valve Parts

Order code 000: Relief valve setting



3.4.7 HM5F29 Relief Valve Parts

Order code: 000

Serial No.	Part Name	Specification	Order No.	QTY.per kit	Drawing No.
1	Plug	HM5X027A-010001	210000293876	1	HM5X027A-010001
2	Valve sleeve	HM5X027-040004	210000297818	1	HM5X027-040004
3	Valve seat	HM5X027-040001	210000303278	1	HM5X027-040001
4	Cone valve spool	HM5X027-040002	210000303319	1	210000303319
5	Spring gasket	HM5X027-040005	210000303515	1	HM5X027-040005
6	Piston	HM5X027A-010002	210000302062	1	HM5X027A-010002
7	Spring	HM5X027-040003	210000294194	1	HM5X027-040003
8	O-ring	φ13.8*2.4	110000022876	1	P-8
9	Valve sleeve	HM5X027-040007	210000297934	1	HM5X027-040007
10	O-ring retaining ring	19*15*1.25	210000343448	2	P15-T3
11	O-ring	φ14.8*2.4	110000022872	1	P-15
12	O-ring	φ23.7*3.5	110000108198	1	ORP24-F5
13	O-ring retaining ring	φ16*φ12*1.25	210000294337	1	P-12
14	O-ring	φ11.8*2.4	110000051053	1	P-12
15	Adjusting screw	HM5X027A-010003	210000303288	1	HM5X027A-010003
16	Nut	M8*1.25*5	2100000354983	1	M8*1.25*5



Hengli hydraulic Co.,Ltd

ADD: No.99 Longqian Road, Wujin District,
Changzhou 213167, China

TEL: +86 400 101 8889

FAX: +86 519 8615 9988

E-mail: hengli@henglihydraulics.com

Hengli America

ADD: 580 Crossroads Parkway, Bolingbrook,
Illinois 60440

TEL: +01 630 995 3674

E-mail: sales@hengliamerica.com

Hengli Germany

ADD: Sperenberger Straße 13D-12277 Berlin,
Germany

TEL: +49 (30) 72088-0

E-mail: info@inlinehydraulik.com

Hengli Japan

ADD: 3F, VORT Shibapark II, 2-3-9 Shiba,
Minato-Ku, Tokyo, Japan 105-0014

TEL: +81 03 6809 1696/03 6809 6515

E-mail: daizheng@henglihydraulics.com

Hengli India

ADD: PAP-B-67/1, Bhamboli-Varale Chakan

MIDC Phase2,Pune 410505

TEL: +0091 98456 73856

E-mail: sudhindra.sabnis@henglihydraulics.com

Hengli Mexico

ADD: Parque Industrial Finsa.Lote 2B1.Santa Catarina,
Nuevo Leon, Mexico

TEL: +52 818 680 4103

E-mail: lauro.garza@henglihydraulics.com

Hengli Indonesia

ADD: B10,Kawasan Logistik Cakung, PT Alun Indah,
Jl Raya Bekasi KM 23.5, Cakung, Jakarta

TEL: +62 81114020059

E-mail: xitao@henglihydraulics.com

Hengli Brazil

ADD: Rua Bom Sucesso, 220 Corporativo 3001

Tatuape CEP 03305-000 São Paulo-SP

TEL: +55 1198383-3104

E-mail: racrosta@henglihydraulics.com

Hengli Hydraulics
No. HL 2026-06

The data indicated in this brochure is only used for the description of products.
Our products have been in continuous development and innovation. Application of the
information in this brochure is not limited to special condition or applicability in particular
industry. If there is any question, welcome to call to consult.



Please scan the QR code to
login our website for more
information.