



2.36

# 35SD10-58C TYPE

## Solenoid Directional Valve

Rated pressure (bar / psi) 250 / 3625  
 Peak flow (L/min / gpm) 30.3 / 8 (See performance chart)

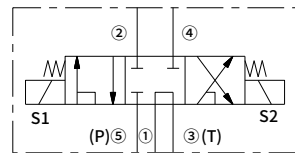
### Features

- Continuous-duty rated coil
- Efficient wet-armature construction
- Cartridges are voltage interchangeable
- Optional waterproof E-Coils rated up to IP69K
- Industry common cavity
- Hardened parts for long life and low leakage

### Contents

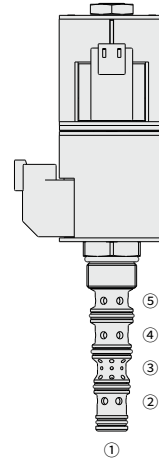
Description	02
Operation	02
Ordering code	02
Materials	02
Technical data	03
Performance	03
Dimensions	04

### Symbol



## Description

A solenoid-operated, 5-way, 3-position, direct acting, screw-in hydraulic cartridge valve with integral load-sense port.



## Operation

When de-energized, the valve blocks flow between all work ports and load sense at port ① is vented to ③ .

When coil 1(S1) is energized, flow is allowed from ⑤ to ② and from ④ to ③ .

When coil 2(S2) is energized, flow is allowed from ⑤ to ④ and from ② to ③ .

Load sense at port ① is connected to port ⑤ when spool is in the shifted positions.

## Ordering Code

35SD10-58C		-	-	-	-	-	-	-
<b>Option:</b>	None	Blank						
<b>Cartridge only</b>		0						
<b>Seals:</b>	Polyurethane (Std.)		P					
	Buna N		N					
	Fluorocarbon		V					
<b>Voltage Std. Coil:</b>								
	Less Coil	00						
	10VDC	10						
	12VDC	12						
	20VDC	20						
	24VDC	24						
<b>Termination (VDC)</b>								
<b>E-Coil:</b>								
	Amp Junior Timer (IP67 Rated)							EJ
	Deutsch DT04-2P (IP69K Rated)							ER
	DIN 43650 (IP65 Rated)							EG
<b>Termination (VDC)</b>								
<b>D-Coil:</b>								
	Dual Spades (SAE J858a, IP65K Rated)							DS

## Materials

### Cartridge:

Weight: 0.3 kg ; Steel with hardened work surfaces. Zinc-plated exposed surfaces; Polyurethane (Std. ) seal.

### Standard Ported Body:

Anodized high-strength aluminum alloy, rated to 240 bar; Ductile iron and steel bodies available; Dimensions may differ, consult factory.

**Standard Coil:** Consult factory.

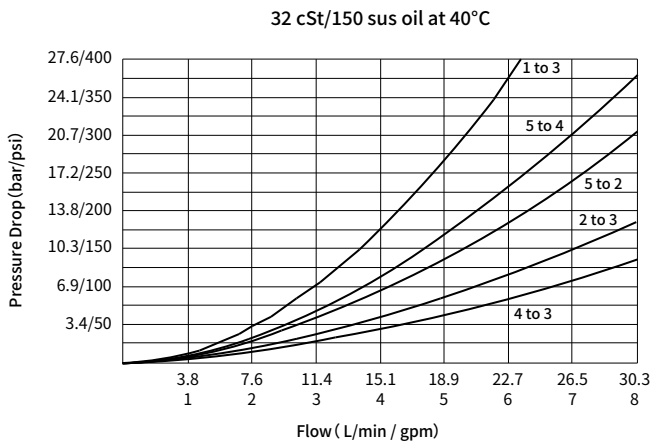
### E-Coil:

Weight: 0.41 kg ; Perfect wound, fully encapsulated with rugged external metal shell; Rated up to IP69K with Deutsch sockets.

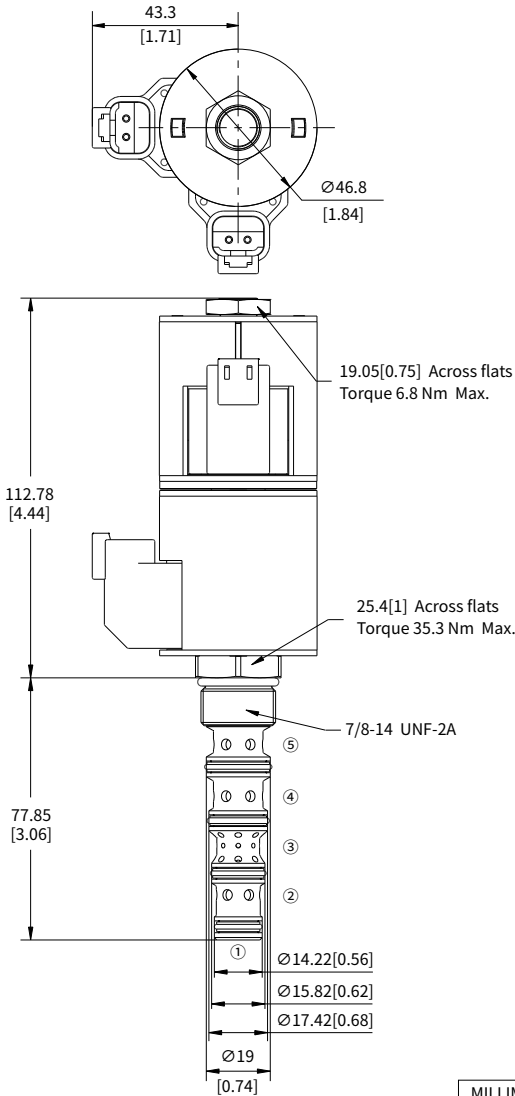
## Technical Data

Rated pressure	250 bar (3625 psi)	
Peak flow	30.3 L/min (8 gpm)	
Internal leakage	≤ 164 mL/min (10 cu. in./min) @207 bar	
Coil duty rating	Continuous from 85% to 115% of nominal voltage	
Initial coil current draw at 20°C	E-Coil	1.7 A at 12VDC; 0.85 A at 24VDC
	D-Coil	1.67 A at 12VDC; 0.83 A at 24VDC
Minimum pull-in voltage	85% of nominal at 207 bar	
Cavity	VC10-5 (See technical reference)	
Fluid	Mineral-based or synthetics with lubricating properties	
Viscosity range	7.4 to 420 mm <sup>2</sup> /s	
Temperature range	-54 to 107 °C (Polyurethane seals)	
	-40 to 100 °C (Buna N seals)	
	-26 to 204 °C (Fluorocarbon seals)	
Degree of fluid contamination	The minimum pollution level is ISO4406 level 18/16/13, and level 15/13/11 is recommended to prolong the service life	

## Performance (Cartridge Only)



# Dimensions



MILLIMETER
[INCH]