



2.21

30SD10-24 TYPE

Solenoid Directional Valve

Rated pressure (bar / psi) 207 / 3000
 Peak flow (L/min / gpm) 60.6 / 16 (See performance chart)

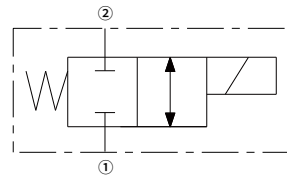
Features

- Continuous-duty rated coil
- Both ports may be fully pressurized
- Efficient wet-armature construction
- Cartridges are voltage interchangeable
- Optional waterproof E-Coils rated up to IP69K
- Industry common cavity
- Hardened parts for long life and low leakage

Contents

Description	02
Operation	02
Ordering code	02
Materials	02
Technical data	03
Performance	03
Dimensions	04

Symbol



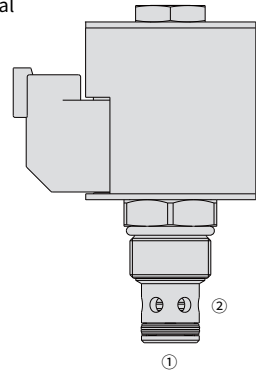
Description

A solenoid-operated, 2-way, normally open, direct-acting, spool-type, screw-in hydraulic cartridge valve, designed to function as a bidirectional blocking valve.

Operation

When de-energized, the 30SD10-24 blocks flow in both directions.

When energized, the cartridge's spool shifts to open the bidirectional flow path.



Ordering Code

30SD10-24		-	-	-	-	-	-	-
Option:	Blank							
Cartridge only	0							
Seals:	Buna N (Std.)	N						
	Polyurethane	P						
	Fluorocarbon	V						
Voltage								
Std. Coil:	Less Coil	00						
	10VDC	10						
	12VDC	12						
	20VDC	20						
	24VDC	24						
Termination (VDC)								
E-Coil:	Amp Junior Timer	EJ						
	(IP67 Rated)							
	Deutsch DT04-2P	ER						
	(IP69K Rated)							
	DIN 43650	EG						
	(IP65 Rated)							
Termination (VDC)								
D-Coil:	Dual Spades	DS						
	(SAE J858a, IP65K Rated)							

Materials

Cartridge:

Weight: 0.16 kg ; Steel with hardened work surfaces. Zinc-plated exposed surfaces; Buna N (Std.) seal.

Standard Ported Body:

Anodized high-strength aluminum alloy, rated to 240 bar; Ductile iron and steel bodies available; Dimensions may differ, consult factory.

Standard Coil: Consult factory.

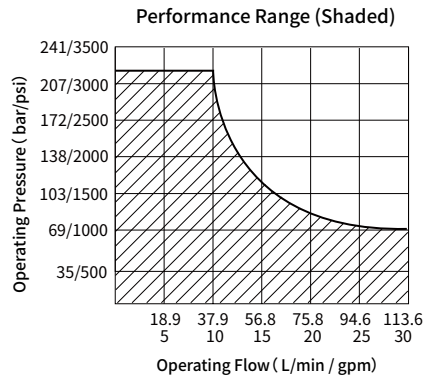
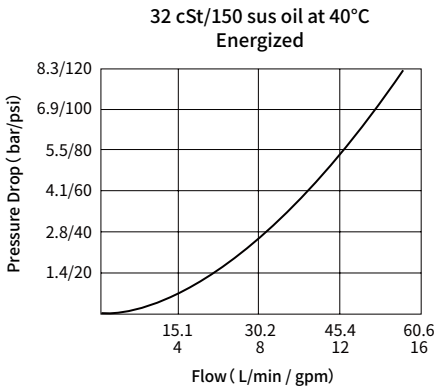
E-Coil:

Weight: 0.41 kg ; Perfect wound, fully encapsulated with rugged external metal shell; Rated up to IP69K with Deutsch sockets.

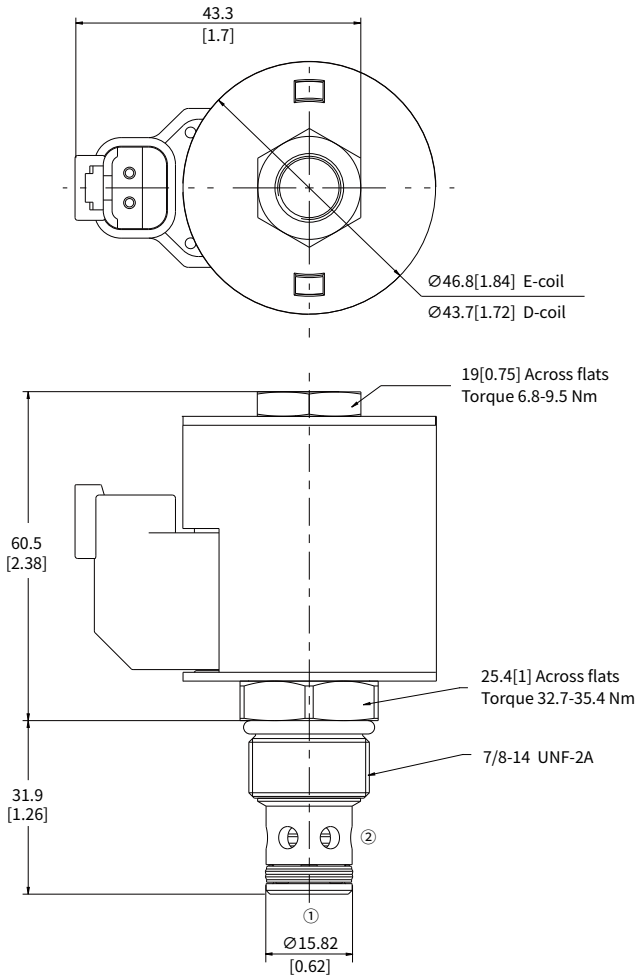
Technical Data

Rated pressure		207 bar (3000 psi)
Peak flow		See performance chart
Internal leakage		≤ 82 mL/min @207 bar
Coil duty rating		Continuous from 85% to 115% of nominal voltage
Response time		First indication of change of state with 100% voltage supplied at 80% of nominal flow rating: Energized 30 msec.; De-energized 25 msec.
Initial coil current draw at 20°C	E-Coil	1.7 A at 12VDC; 0.85 A at 24VDC
	D-Coil	1.67 A at 12VDC; 0.83 A at 24VDC
Minimum pull-in voltage		85% of nominal at 207 bar
Cavity		VC10-2 (See technical reference)
Fluid		Mineral-based or synthetics with lubricating properties
Viscosity range		7.4 to 420 mm ² /s
Temperature range		-40 to 100 °C (Buna N seals)
		-54 to 107 °C (Polyurethane seals)
		-26 to 204 °C (Fluorocarbon seals)
Degree of fluid contamination		The minimum pollution level is ISO4406 level 20/18/14, and level 17/15/13 is recommended to prolong the service life

Performance (Cartridge Only)



Dimensions



MILLIMETER
[INCH]