



2.1.2

ELECTRIC PILOT REMOTE CONTROL JOYSTICK

Type : RVEH2

Benefits:

- Several ergonomic grips with various E contacts
- CAN BUS output
- High proportional output accuracy



Contents

	Page
Features	03
Technical data	04
Hydraulic diagram	05
Joystick output signal	05
Unit dimension	06

Features

1. General introduction

- Two sensors integrated.
- Proportional output to the angle.
- Integrated PCB board, CAN-Bus output available.
- It can be used for more than 10 million cycles.

2. Applications



Excavator



Tractor loader backhoes



Wheel loaders



Cranes

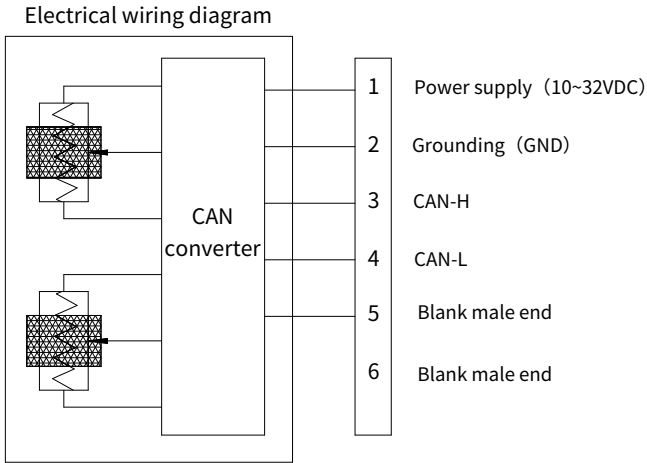
Technical data

· RVEH1

Power supply	Voltage	10 ~ 32VDC			
	Current consumption	< 100mA			
	Impulse current	< 10A			
Signal output	Communication protocol	CAN (SAE J1939)			
	Source address	249			
	Communication rate	250kbps			
	Sampling period	20ms			
	Output accuracy	Temperature range	Neutral position	+END	-END
		-10~15°C	±2%	±1% -2%	+2% -1%
-40~75°C		±3%	+1% -4%	+4% -1%	
Hysteresis	< 1.6%				
Mechanical neutral position		< 0.5			
Application temperature range		-40 ~ 75°C			

Hydraulic diagram

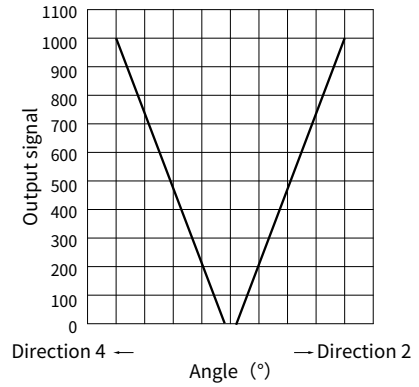
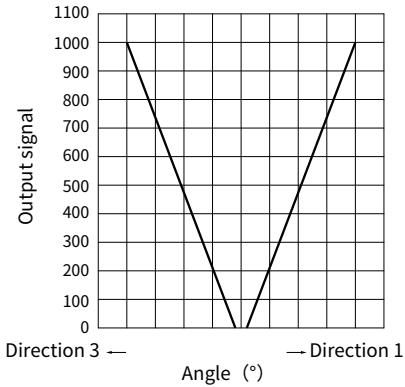
• RVEH2



02

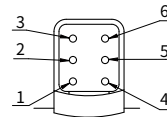
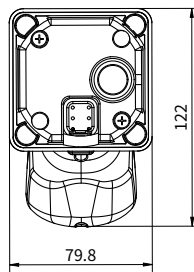
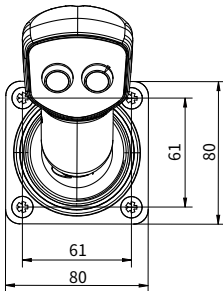
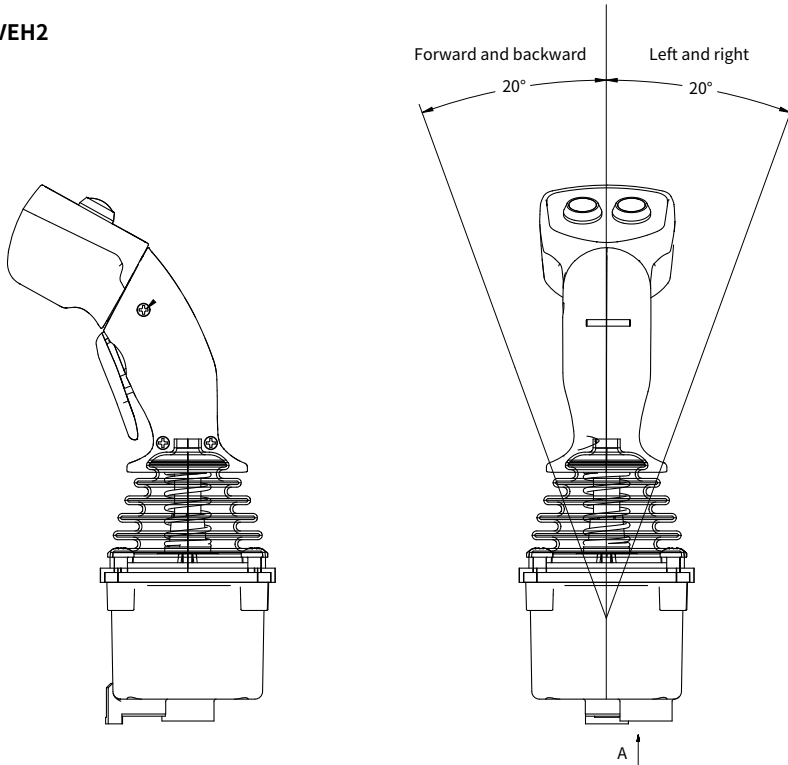
Joystick output signal

• RVEH2



Unit dimension

· RVEH2



A

China

+86 400 101 8889

America

+01 630 995 3674

Germany

+49 (30) 72088-0

Japan

+81 03 6809 1696



© This brochure can be reproduced, edited, reproduced or transmitted electronically without the authorization of Hengli Hydraulic Company. Due to the continuous development of the product, the information in this brochure is not specific to the specific conditions or applicability of the industry, thus, Hengli does not take any responsibility for any incomplete or inaccurate description.