



5.5

# 35C12-20 TYPE

## Check Valve

Rated pressure (bar / psi)	240 / 3500
Peak flow (L/min / gpm)	94.6 / 25

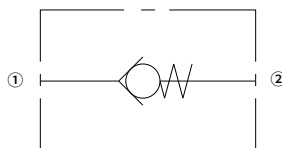
### Features

- Hardened parts for long life and low leakage
- Optional bias springs for back-pressure application flexibility
- Fully guided check assembly
- Fast closing and seating

### Contents

Description	02
Operation	02
Ordering code	02
Materials	02
Technical data	03
Performance	03
Dimensions	04

### Symbol



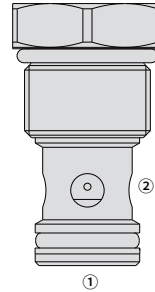
## Description

A screw-in, cartridge-style, hydraulic check valve for use as a blocking or load-holding device.

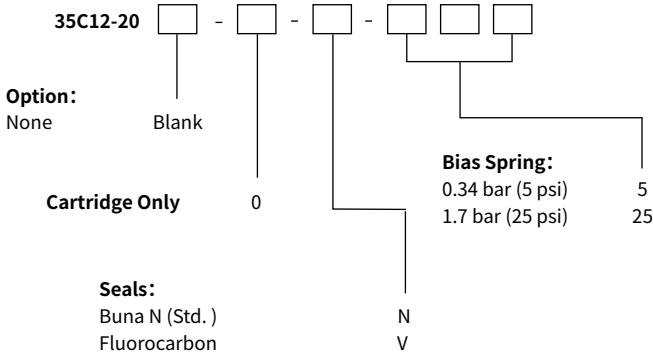
## Operation

The valve allows flow passage from ① to ②, while normally blocking oil flow in the opposite direction.

The cartridge has a fully guided check which is spring-biased closed until sufficient pressure is applied at ① to open to ②.



## Ordering Code



## Materials

### Cartridge:

Weight: 0.19 kg; Steel with hardened work surfaces. Zinc-plated exposed surfaces; Buna N (Std. ) seal.

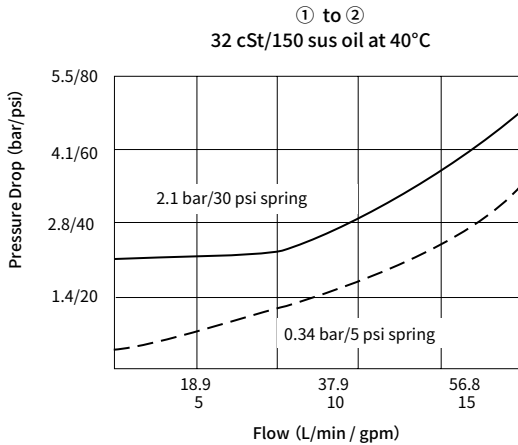
### Standard Ported Body:

Anodized high-strength aluminum alloy, rated to 240 bar; Ductile iron and steel bodies available; Dimensions may differ, consult factory.

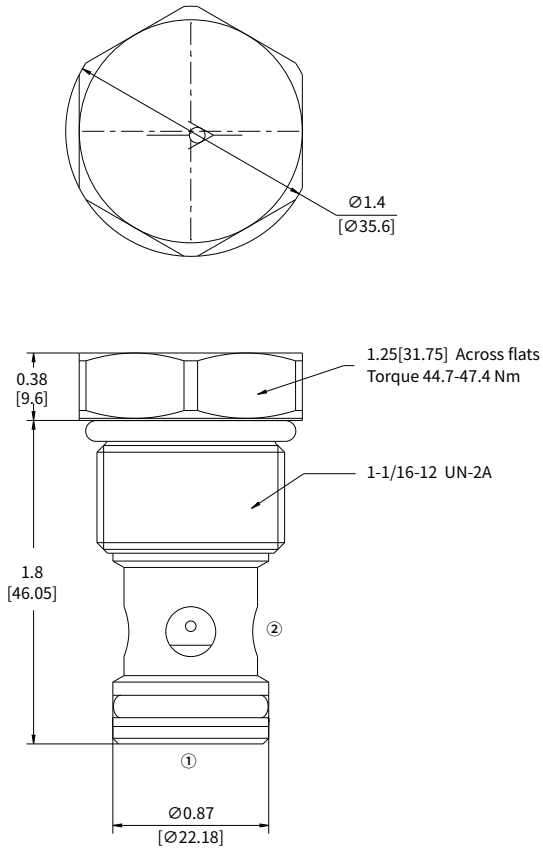
## Technical Data

Rated pressure	240 bar (3500 psi)
Peak flow	94.6L/min (25 gpm)
Crack Pressure Defined	Gauge bar evident at ① at 16.4 mL/min attained
Standard bias springs at crack	0.3 bar 、 1.7 bar
Cavity	VC12-2 (See technical reference)
Internal leakage	≤ 0.25 mL/min (5 drops/min) @240 bar
Fluid	Mineral-based or synthetics with lubricating properties
Viscosity range	7.4 to 420 mm <sup>2</sup> /s
Temperature range	-40 to 100 °C (Buna N seals)
	-26 to 204 °C (Fluorocarbon seals)
Degree of fluid contamination	The minimum pollution level is ISO4406 level 20/18/14, and level 17/15/13 is recommended to prolong the service life

## Performance (Cartridge Only)



## Dimensions



INCH  
MILLIMETER